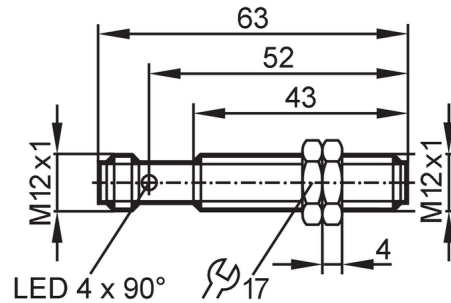


# JAC201



## Diffuse reflection sensor

AFK3050BBPKG/M/US-104



### Product characteristics

Electrical design	PNP
Housing	Threaded type
Dimensions [mm]	M12 x 1 / L = 63

### Application

Application	High switching frequency for fast processes
-------------	---

### Electrical data

Operating voltage [V]	10...30 DC
Current consumption [mA]	< 15
Protection class	III
Reverse polarity protection	yes

### Outputs

Electrical design	PNP
Short-circuit protection	yes
Type of short-circuit protection	yes (non-latching)

### Operating conditions

Ambient temperature [°C]	-25...70
Protection	IP 65; IP 67; IP 68; ("Coolant")

### Tests / approvals

EMC	EN 61000-4-2 ESD	4 kV CD / 8 kV AD
	EN 61000-4-3 HF radiated	10 V/m (80...1000 MHz)
	EN 61000-4-4 Burst	2 kV
	EN 61000-4-5 Surge	0,5 kV
	EN 61000-4-6 HF conducted	10 V (0,15...80 MHz)
	EN 55011	class B
MTTF [years]		1048

### Mechanical data

Weight [g]	34.8
Housing	Threaded type
Dimensions [mm]	M12 x 1 / L = 63
Thread designation	M12 x 1

# JAC201



## Diffuse reflection sensor

AFK3050BBPKG/M/US-104

### Remarks

Pack quantity

1 pcs.

### Electrical connection - plug

Connector: 1 x M12; coding: A; Contacts: 3



### Connection

