

IY5045



Inductive sensor

IYB30,8-BPKG/V2A/0,1M/AS-610

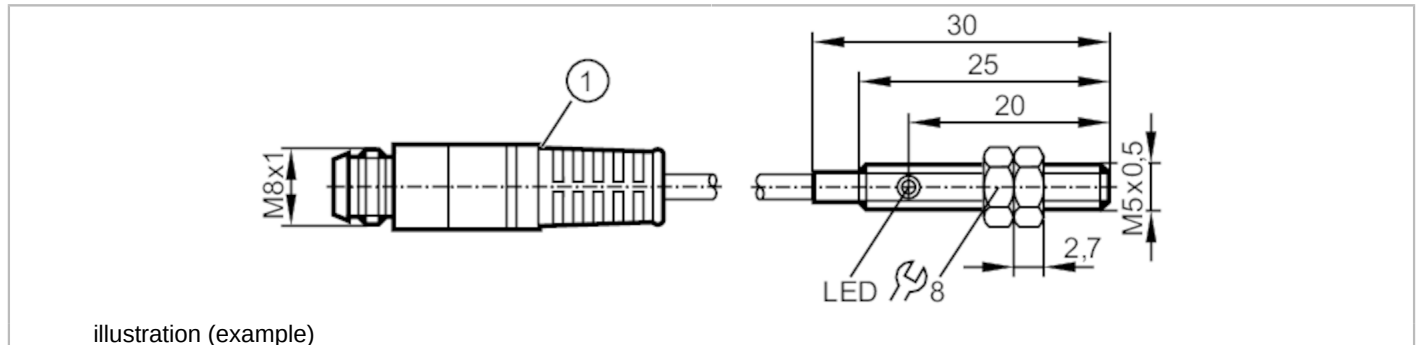


illustration (example)



Product characteristics	
Electrical design	PNP
Output function	normally open
Sensing range [mm]	0.8
Housing	Threaded type
Dimensions [mm]	M5 x 0.5 / L = 30
Electrical data	
Operating voltage [V]	10...36 DC
Current consumption [mA]	15; (24 V)
Protection class	III
Reverse polarity protection	yes
Outputs	
Electrical design	PNP
Output function	normally open
Max. voltage drop switching output DC [V]	2.5
Permanent current rating of switching output DC [mA]	100
Switching frequency DC [Hz]	2000
Short-circuit protection	yes
Type of short-circuit protection	yes (non-latching)
Overload protection	yes
Monitoring range	
Sensing range [mm]	0.8
Real sensing range Sr [mm]	0.8 ± 10 %
Operating distance [mm]	0...0.65
Accuracy / deviations	
Correction factor	steel: 1 / stainless steel: 0.7 / brass: 0.5 / aluminum: 0.4 / copper: 0.3
Hysteresis [% of Sr]	1...15
Switch-point drift [% of Sr]	-10...10
Operating conditions	
Ambient temperature [°C]	-25...70

IY5045



Inductive sensor

IYB30,8-BPKG/V2A/0,1M/AS-610

Protection	IP 65
------------	-------

Tests / approvals

EMC	EN 61000-4-2 ESD	4 kV CD / 8 kV AD
	EN 61000-4-3 HF radiated	3 V/m
	EN 61000-4-4 Burst	2 kV
	EN 61000-4-6 HF conducted	3 V
	EN 55011	class B
MTTF [years]	2053	

Mechanical data

Weight [g]	13.3
Housing	Threaded type
Mounting	flush mountable
Dimensions [mm]	M5 x 0.5 / L = 30
Thread designation	M5 x 0.5
Material	stainless steel (1.4305 / 303); sensing face: POM
Tightening torque [Nm]	2

Displays / operating elements

Display	Switching status	1 x LED, yellow
---------	------------------	-----------------

Accessories

Items supplied	lock nuts: 2
----------------	--------------

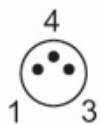
Remarks

Pack quantity	1 pcs.
---------------	--------

Electrical connection - plug

Cable: 0.1 m, PVC

Connector: 1 x M8; coding: A; Locking: snap-fit



IY5045



Inductive sensor

IYB30,8-BPKG/V2A/0,1M/AS-610

Connection

