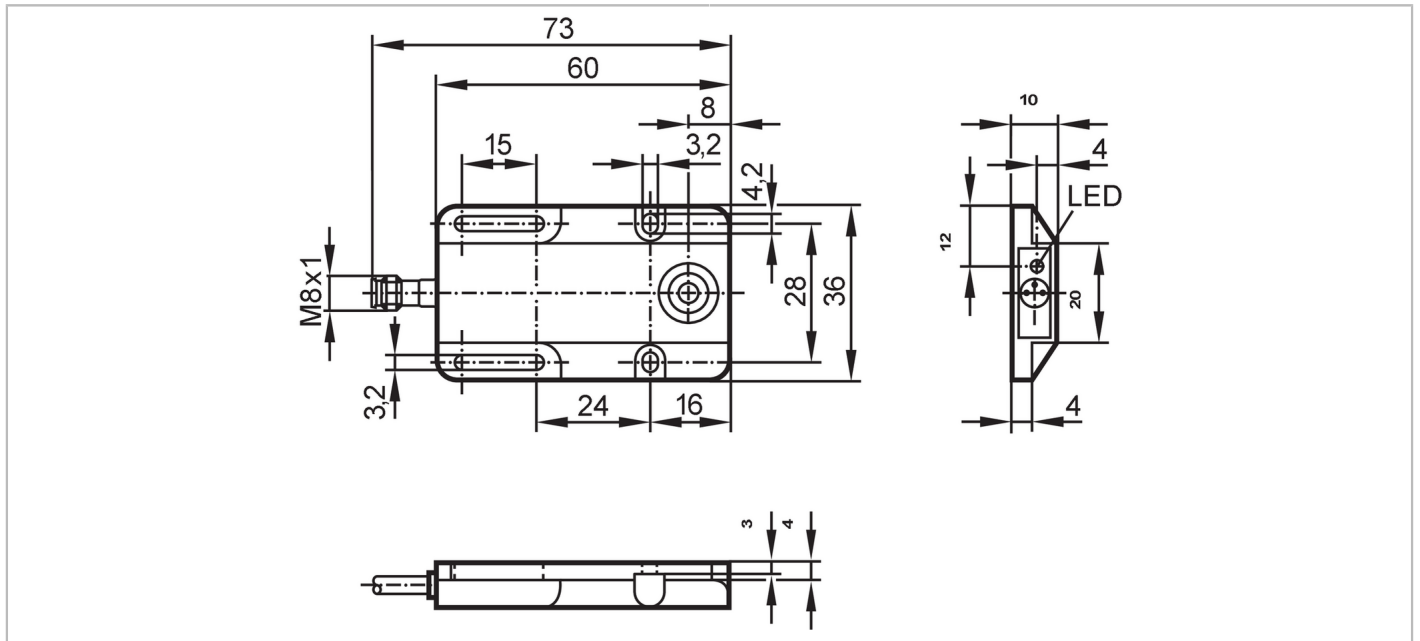


IW5062



Inductive sensor

IW-3008-APKG/AS-610-TPO



Product characteristics

Electrical design		PNP
Output function		normally closed
Sensing range	[mm]	8
Housing		rectangular
Dimensions	[mm]	60 x 36 x 10

Electrical data

Operating voltage	[V]	10...36 DC
Current consumption	[mA]	5; (24 V)
Protection class		III
Reverse polarity protection		yes

Outputs

Electrical design		PNP
Output function		normally closed
Max. voltage drop switching output DC	[V]	2.5; (at I (load) < 50 mA and 0...50 °C: < 1,5)
Permanent current rating of switching output DC	[mA]	250
Switching frequency DC	[Hz]	300
Short-circuit protection		yes
Type of short-circuit protection		yes (non-latching)
Overload protection		yes

Monitoring range

Sensing range	[mm]	8
Real sensing range Sr	[mm]	8 ± 10 %
Operating distance	[mm]	0...6.5

IW5062



Inductive sensor

IW-3008-APKG/AS-610-TPO

Accuracy / deviations		
Correction factor	steel: 1 / stainless steel: 0.7 / brass: 0.4 / aluminum: 0.3 / copper: 0.2	
Hysteresis	[% of Sr]	3...15
Switch-point drift	[% of Sr]	-10...10
Operating conditions		
Ambient temperature	[°C]	-25...80
Protection	IP 65; (with ifm socket duly screwed on: IP 67)	
Tests / approvals		
EMC	EN 60947-5-2	
MTTF	[years]	1893
Mechanical data		
Weight	[g]	24.9
Housing	rectangular	
Mounting	non-flush mountable	
Dimensions	[mm]	60 x 36 x 10
Material	housing: PBT	
Displays / operating elements		
Display	Switching status	1 x LED, yellow
Remarks		
Pack quantity	1 pcs.	

Electrical connection - plug

Connector: 1 x M8; coding: A



Connection

