

IV5011

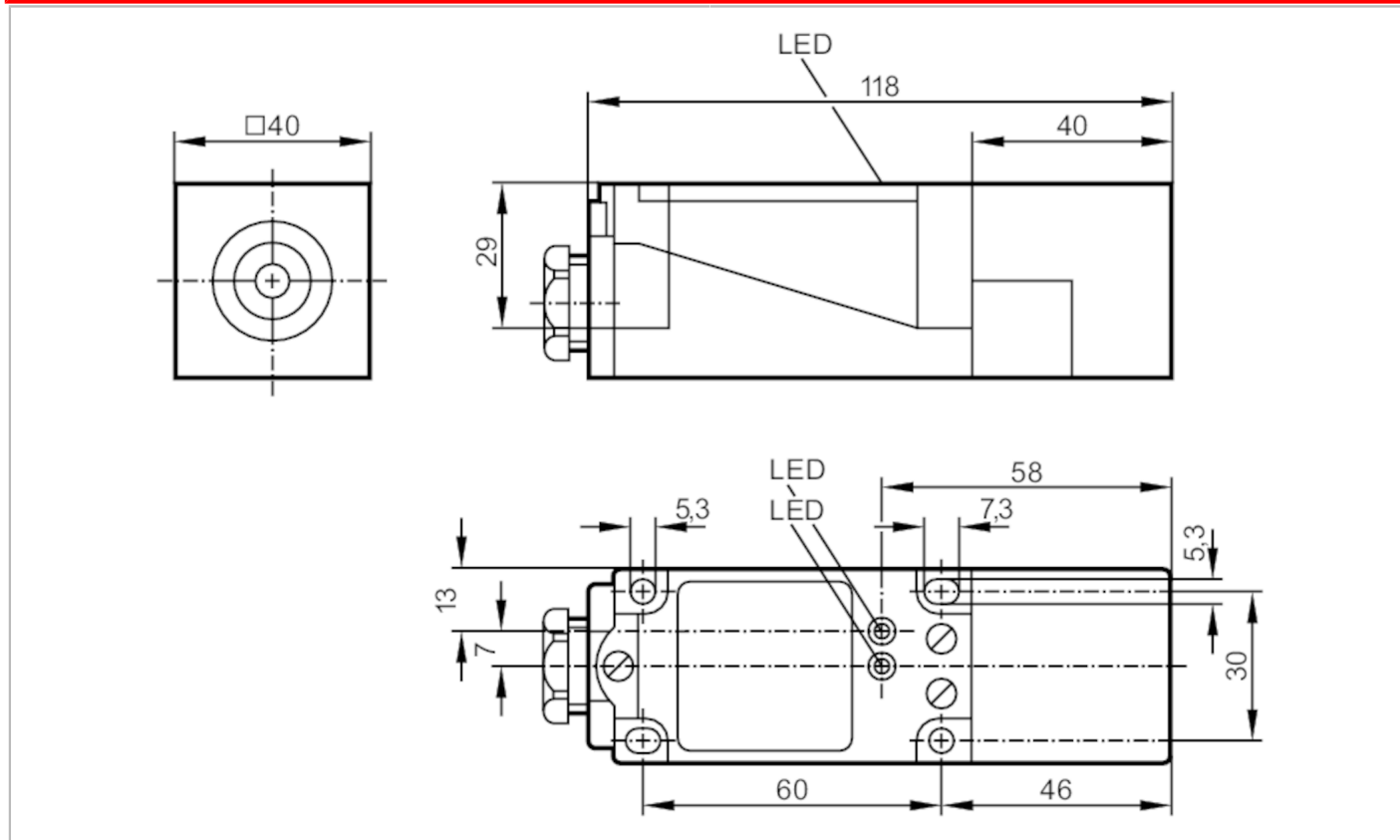


Inductive sensor

IVE3030-BPKG

Discontinued article

Alternative article: IV5061 When selecting an alternative article and accessories please note that technical data may differ! – When selecting an alternative article and accessories please note that technical data may differ! – Discontinuation date: 31.03.2017



Product characteristics

Electrical design		PNP
Output function		normally open
Sensing range	[mm]	30
Housing		rectangular
Dimensions	[mm]	40 x 40 x 118

Electrical data

Operating voltage	[V]	10...30 DC
Current consumption	[mA]	20; (24 V)
Protection class		II
Reverse polarity protection		yes

IV5011



Inductive sensor

IVE3030-BPKG

Outputs		
Electrical design	PNP	
Output function	normally open	
Max. voltage drop switching output DC [V]	3	
Permanent current rating of switching output DC [mA]	200	
Switching frequency DC [Hz]	100	
Short-circuit protection	yes	
Type of short-circuit protection	yes (non-latching)	
Overload protection	yes	
Monitoring range		
Sensing range [mm]	30	
Real sensing range Sr [mm]	30 ± 10 %	
Operating distance [mm]	0...24.3	
Accuracy / deviations		
Correction factor	steel: 1 / stainless steel: 0.7 / brass: 0.4 / aluminum: 0.3 / copper: 0.2	
Hysteresis [% of Sr]	1...15	
Switch-point drift [% of Sr]	-10...10	
Operating conditions		
Ambient temperature [°C]	-25...70	
Protection	IP 67	
Tests / approvals		
EMC	EN 60947-5-2	
Mechanical data		
Weight [g]	260.6	
Housing	rectangular	
Mounting	non-flush mountable	
Dimensions [mm]	40 x 40 x 118	
Material	PBT	
Displays / operating elements		
Display	Switching status	1 x LED, yellow
	Power	1 x LED, green
Remarks		
Remarks	5 positions of the active zone possible cable gland (E11270) to be ordered separately	
Pack quantity	1 pcs.	

IV5011



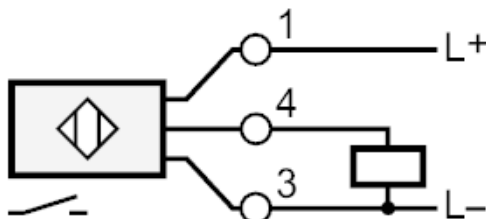
Inductive sensor

IVE3030-BPKG

Electrical connection

terminals: ...2.5 mm²; Cable sheath: Ø 7...13 mm; Cable gland: M20 X 1.5

Connection



Discontinued article

Alternative article: IV5061 When selecting an alternative article and accessories please note that technical data may differ! – When selecting an alternative article and accessories please note that technical data may differ! – Discontinuation date: 31.03.2017