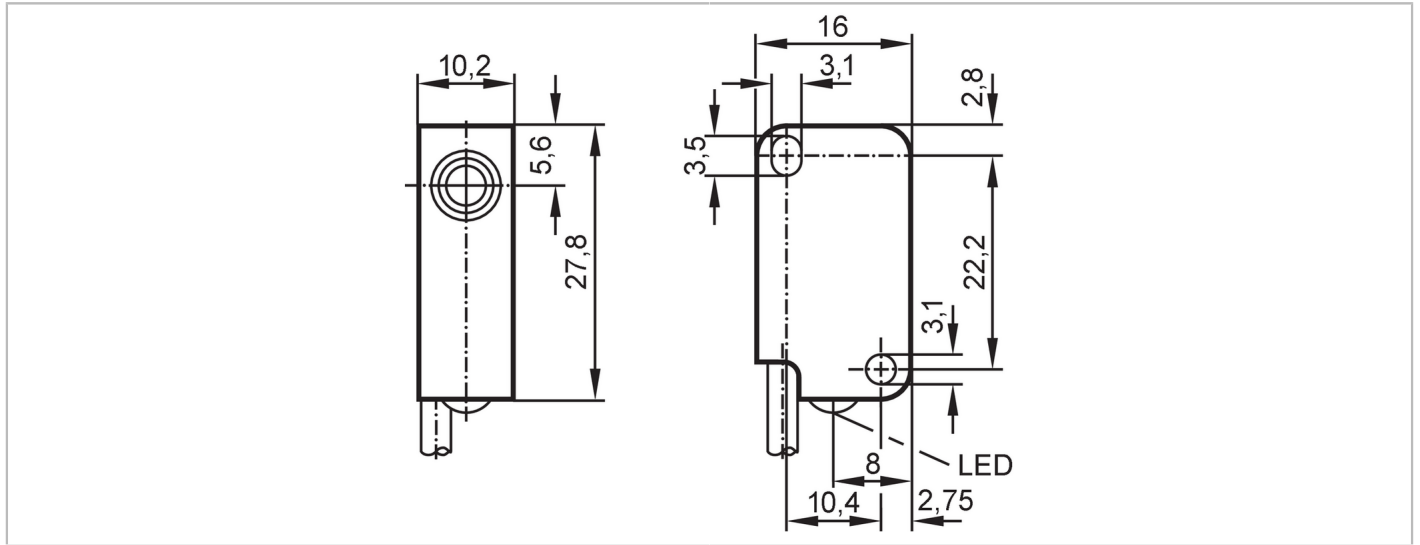


# IS0008



## Inductive sensor

IS-2002-BROA/12"K



### Product characteristics

Output function		normally closed
Sensing range	[mm]	2
Housing		rectangular
Dimensions	[mm]	28 x 10 x 16

### Electrical data

Frequency AC	[Hz]	45...65
Operating voltage	[V]	20...140 AC / 10...140 DC
Protection class		II
Reverse polarity protection		no

### Outputs

Output function		normally closed
Max. voltage drop switching output DC	[V]	5
Max. voltage drop switching output AC	[V]	5
Minimum load current	[mA]	5
Max. leakage current	[mA]	0.8
Permanent current rating of switching output AC	[mA]	200
Permanent current rating of switching output DC	[mA]	200
Short-time current rating of switching output	[mA]	900; (20 ms / 0,5 Hz)
Switching frequency AC	[Hz]	25
Switching frequency DC	[Hz]	25
Short-circuit protection		no
Overload protection		no

### Monitoring range

Sensing range	[mm]	2
---------------	------	---

# IS0008



## Inductive sensor

IS-2002-BROA/12"K

Real sensing range Sr	[mm]	2 ± 10 %
Operating distance	[mm]	0...1.6
<b>Accuracy / deviations</b>		
Correction factor		steel: 1 / stainless steel: 0.9 / brass: 0.8 / aluminum: 0.5 / copper: 0.46
Hysteresis	[% of Sr]	1...15
Switch-point drift	[% of Sr]	-10...10
<b>Operating conditions</b>		
Ambient temperature	[°C]	-20...80
Protection		IP 67
<b>Tests / approvals</b>		
EMC		EN 60947-5-2
		EN 55011 class B
MTTF	[years]	1698
<b>Mechanical data</b>		
Weight	[g]	14.9
Housing		rectangular
Mounting		flush mountable
Dimensions	[mm]	28 x 10 x 16
Material		housing: PBT
Tightening torque	[Nm]	< 0.5; (with washer)
<b>Displays / operating elements</b>		
Display	Switching status	1 x LED, red
<b>Electrical connection</b>		
Required protection		miniature fuse to IEC60127-2 sheet 1; ≤ 2 A; fast acting
<b>Remarks</b>		
Remarks		Recommendation: check the unit for reliable function after a short circuit.
Pack quantity		1 pcs.

# IS0008



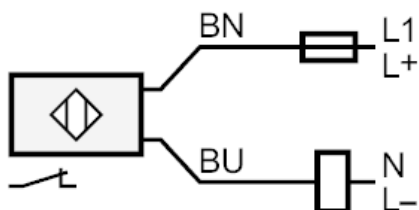
## Inductive sensor

IS-2002-BROA/12"K

### Electrical connection

Cable: 0.3 m, PVC; 2 x 0.25 mm<sup>2</sup>

### Connection



### Core colors

BN	brown
BU	blue