

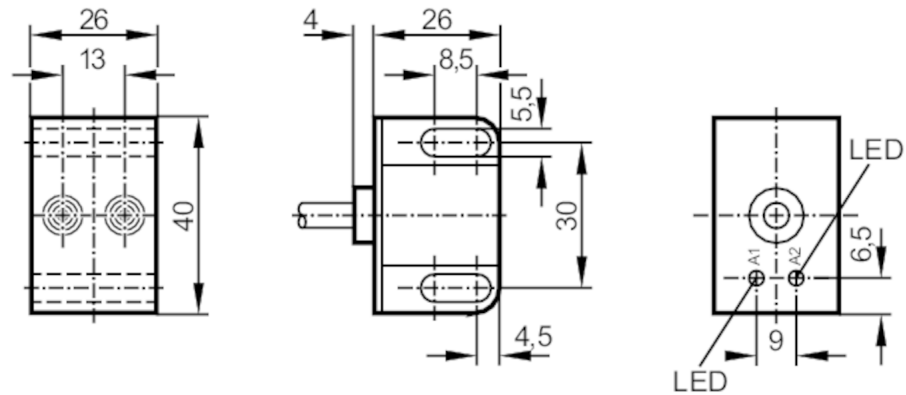
# IN5303



## Dual inductive sensor for valve actuators

IND3004DBPKG/0,3M/US-100-DPV

Article no longer available - archive entry



### Product characteristics

Electrical design		PNP
Output function		normally open
Sensing range	[mm]	4
Housing		rectangular
Dimensions	[mm]	40 x 26 x 26

### Electrical data

Operating voltage	[V]	10...36 DC
Current consumption	[mA]	3; (36 V)
Protection class		II
Reverse polarity protection		yes

### Outputs

Electrical design		PNP
Output function		normally open
Max. voltage drop switching output DC	[V]	2.5
Permanent current rating of switching output DC	[mA]	250
Short-time current rating of switching output	[mA]	250
Switching frequency DC	[Hz]	1300
Short-circuit protection		yes
Type of short-circuit protection		yes (non-latching)
Overload protection		yes

### Monitoring range


Sensing range	[mm]	4
Real sensing range Sr	[mm]	4 ± 10 %
Operating distance	[mm]	0...3.25

# IN5303



## Dual inductive sensor for valve actuators

IND3004DBPKG/0,3M/US-100-DPV

Accuracy / deviations		
Correction factor	steel: 1 / stainless steel: 0.7 / brass: 0.5 / aluminum: 0.4 / copper: 0.3	
Hysteresis [% of Sr]	1...15	
Switch-point drift [% of Sr]	-10...10	
Operating conditions		
Ambient temperature [°C]	-25...80	
Protection	IP 67	
Tests / approvals		
EMC	IEC 801/2 ESD	4 kV CD / 8 kV AD
	IEC 801/3 HF	10 V/m
	IEC 801/4 Burst	2 kV
Mechanical data		
Housing	rectangular	
Mounting	non-flush mountable	
Dimensions [mm]	40 x 26 x 26	
Material	PBT	
Displays / operating elements		
Display	Switching status	2 x LED, yellow
Remarks		
Pack quantity	1 pcs.	
Electrical connection - plug		
Cable: 0.3 m, PVC; 4 x 0.34 mm <sup>2</sup>		
Connector: 1 x M12		
		

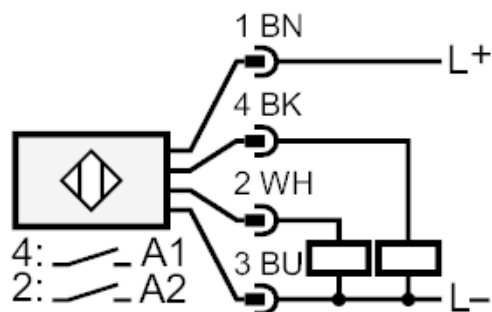
# IN5303



## Dual inductive sensor for valve actuators

IND3004DBPKG/0,3M/US-100-DPV

### Connection



Core colors :

BK = black  
BN = brown  
BU = blue  
WH = white

Article no longer available - archive entry