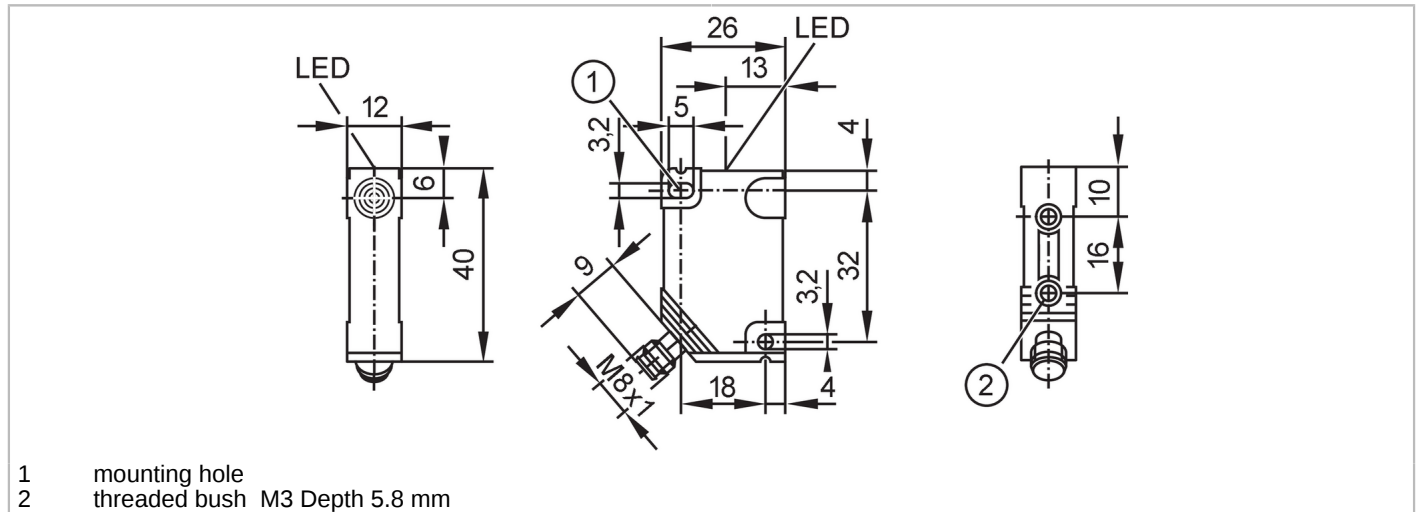


IN5258



Inductive sensor

IN-2004-FRKG/AS-610-T



Product characteristics	
Electrical design	PNP/NPN
Output function	normally open / closed; (selectable)
Sensing range [mm]	4
Housing	rectangular
Dimensions [mm]	40 x 12 x 26
Electrical data	
Operating voltage [V]	10...55 DC
Protection class	III
Reverse polarity protection	yes
Outputs	
Electrical design	PNP/NPN
Output function	normally open / closed; (selectable)
Max. voltage drop switching output DC [V]	4.6
Minimum load current [mA]	4
Max. leakage current [mA]	0.5
Permanent current rating of switching output DC [mA]	300
Switching frequency DC [Hz]	1200
Short-circuit protection	yes
Type of short-circuit protection	yes (non-latching)
Overload protection	yes
Monitoring range	
Sensing range [mm]	4
Real sensing range S_r [mm]	$4 \pm 10\%$
Operating distance [mm]	0...3.25
Accuracy / deviations	
Correction factor	steel: 1 / stainless steel: 0.7 / brass: 0.4 / aluminum: 0.3 / copper: 0.2

IN5258



Inductive sensor

IN-2004-FRKG/AS-610-T

Hysteresis	[% of Sr]	1...15
Switch-point drift	[% of Sr]	-10...10

Operating conditions

Ambient temperature	[°C]	-25...80
Protection		IP 65

Tests / approvals

EMC	EN 60947-5-2	
	EN 55011	class B
MTTF	[years]	1645
UL approval	Ta	0...40 °C
	Enclosure type	Type 1
	File number UL	E174191

Mechanical data

Weight	[g]	21
Housing		rectangular
Mounting		non-flush mountable
Dimensions	[mm]	40 x 12 x 26
Material		housing: PBT

Mounting hole

Tightening torque	[Nm]	< 0.5
-------------------	------	-------

Threaded bush

Tightening torque	[Nm]	< 1.2; (when brass insert in contact with counterpart)
-------------------	------	--

Displays / operating elements

Display	Switching status	1 x LED, red
---------	------------------	--------------

Remarks

Pack quantity		1 pcs.
---------------	--	--------

Electrical connection - plug

Connector: 1 x M8; coding: A

