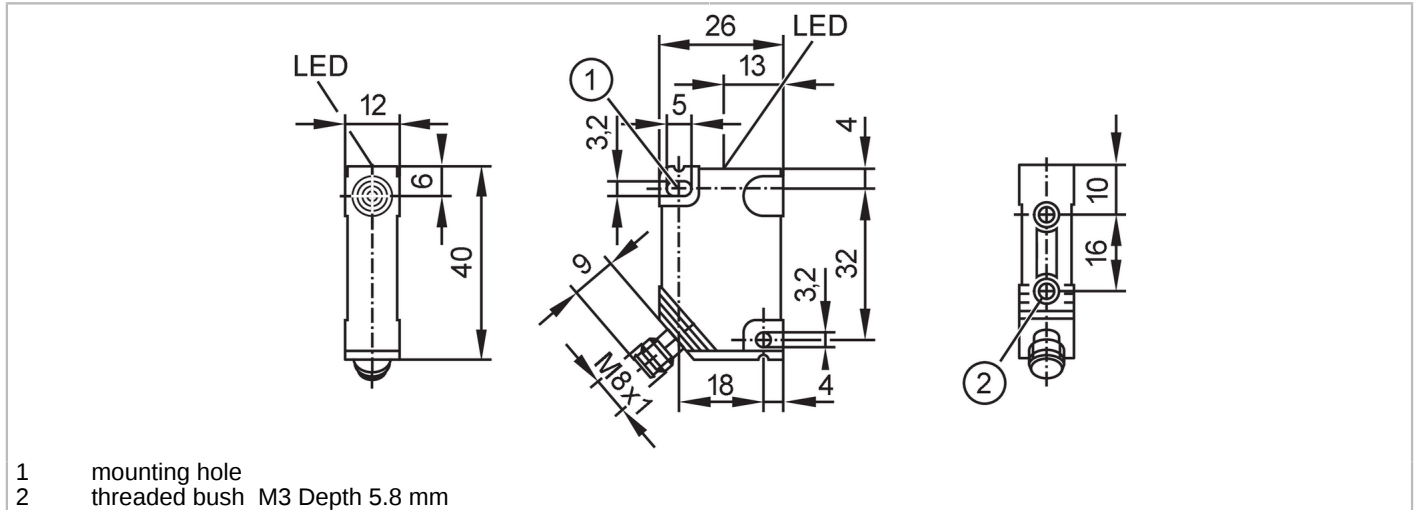


# IN5230



## Inductive sensor

IN-3002-BPKG/AS-610-T



Product characteristics		
Electrical design		PNP
Output function		normally open
Sensing range	[mm]	2
Housing		rectangular
Dimensions	[mm]	40 x 12 x 26
Electrical data		
Operating voltage	[V]	10...36 DC
Current consumption	[mA]	15; (24 V)
Protection class		III
Reverse polarity protection		yes
Outputs		
Electrical design		PNP
Output function		normally open
Max. voltage drop switching output DC	[V]	2.5
Permanent current rating of switching output DC	[mA]	250
Switching frequency DC	[Hz]	1400
Short-circuit protection		yes
Type of short-circuit protection		yes (non-latching)
Overload protection		yes
Monitoring range		
Sensing range	[mm]	2
Real sensing range Sr	[mm]	2 ± 10 %
Operating distance	[mm]	0...1.6
Accuracy / deviations		
Correction factor		steel: 1 / stainless steel: 0.7 / brass: 0.4 / aluminum: 0.3 / copper: 0.2
Hysteresis	[% of Sr]	1...15

# IN5230



## Inductive sensor

IN-3002-BPKG/AS-610-T

Switch-point drift	[% of Sr]	-10...10
--------------------	-----------	----------

### Operating conditions

Ambient temperature	[°C]	-20...80
---------------------	------	----------

Protection		IP 67
------------	--	-------

### Tests / approvals

EMC	EN 60947-5-2	
-----	--------------	--

EN 55011	class B
----------	---------

MTTF	[years]	2577
------	---------	------

UL approval	Ta	0...40 °C
-------------	----	-----------

Enclosure type	Type 1
----------------	--------

File number UL	E174191
----------------	---------

### Mechanical data

Weight	[g]	19.8
--------	-----	------

Housing		rectangular
---------	--	-------------

Mounting		flush mountable
----------	--	-----------------

Dimensions	[mm]	40 x 12 x 26
------------	------	--------------

Material		housing: PBT
----------	--	--------------

### Mounting hole

Tightening torque	[Nm]	< 0.5
-------------------	------	-------

### Threaded bush

Tightening torque	[Nm]	< 1.2; (when brass insert in contact with counterpart)
-------------------	------	--

### Displays / operating elements

Display	Switching status	1 x LED, yellow
---------	------------------	-----------------

### Remarks

Pack quantity		1 pcs.
---------------	--	--------

### Electrical connection - plug

Connector: 1 x M8; coding: A; Contacts: 3



### Connection

