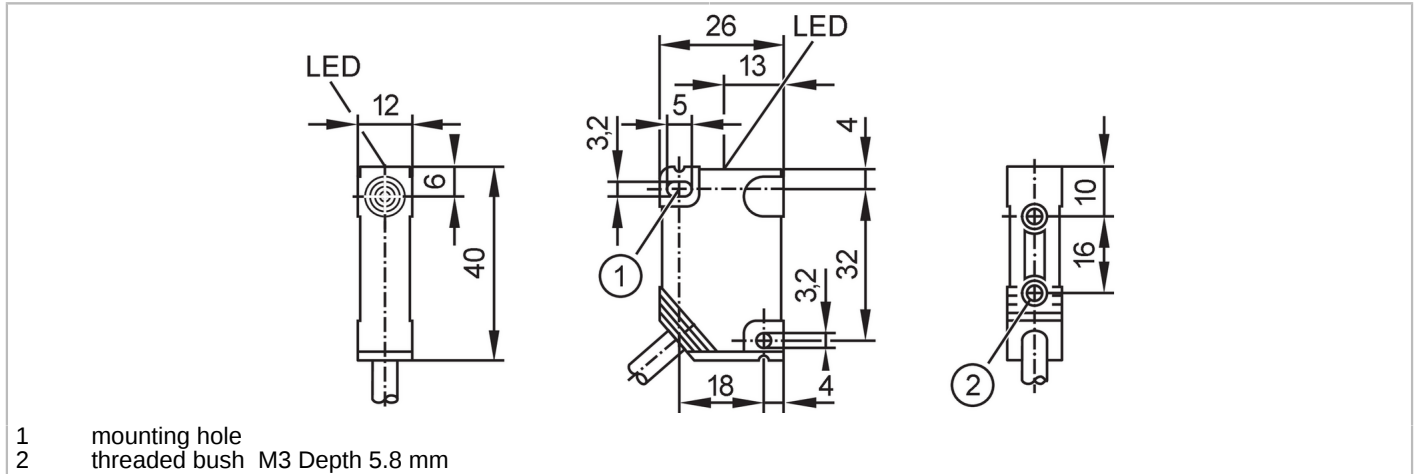


IN5130



Inductive sensor

IN-3004-BPKG/6M



Product characteristics	
Electrical design	PNP
Output function	normally open
Sensing range [mm]	4
Housing	rectangular
Dimensions [mm]	40 x 12 x 26
Electrical data	
Operating voltage [V]	10...36 DC
Current consumption [mA]	15; (24 V)
Protection class	II
Reverse polarity protection	yes
Outputs	
Electrical design	PNP
Output function	normally open
Max. voltage drop switching output DC [V]	2.5
Permanent current rating of switching output DC [mA]	250
Switching frequency DC [Hz]	1300
Short-circuit protection	yes
Type of short-circuit protection	yes (non-latching)
Overload protection	yes
Monitoring range	
Sensing range [mm]	4
Real sensing range Sr [mm]	4 ± 10 %
Operating distance [mm]	0...3.25
Accuracy / deviations	
Correction factor	steel: 1 / stainless steel: 0.7 / brass: 0.4 / aluminum: 0.3 / copper: 0.2
Hysteresis [% of Sr]	1...15

IN5130



Inductive sensor

IN-3004-BPKG/6M

Switch-point drift	[% of Sr]	-10...10
--------------------	-----------	----------

Operating conditions

Ambient temperature	[°C]	-25...80
---------------------	------	----------

Protection		IP 67
------------	--	-------

Tests / approvals

EMC	EN 60947-5-2	
-----	--------------	--

	EN 55011	class B
--	----------	---------

MTTF	[years]	1925
------	---------	------

Mechanical data

Weight	[g]	321
--------	-----	-----

Housing		rectangular
---------	--	-------------

Mounting		non-flush mountable
----------	--	---------------------

Dimensions	[mm]	40 x 12 x 26
------------	------	--------------

Material		housing: PBT
----------	--	--------------

Mounting hole

Tightening torque	[Nm]	< 0.5
-------------------	------	-------

Threaded bush

Tightening torque	[Nm]	< 1.2; (when brass insert in contact with counterpart)
-------------------	------	--

Displays / operating elements

Display	Switching status	1 x LED, yellow
---------	------------------	-----------------

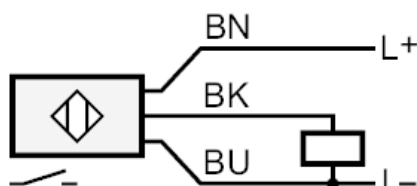
Remarks

Pack quantity		1 pcs.
---------------	--	--------

Electrical connection

Cable: 6 m, PVC; 3 x 0.5 mm²

Connection



Core colors :
BN = brown
BU = blue
BK = black