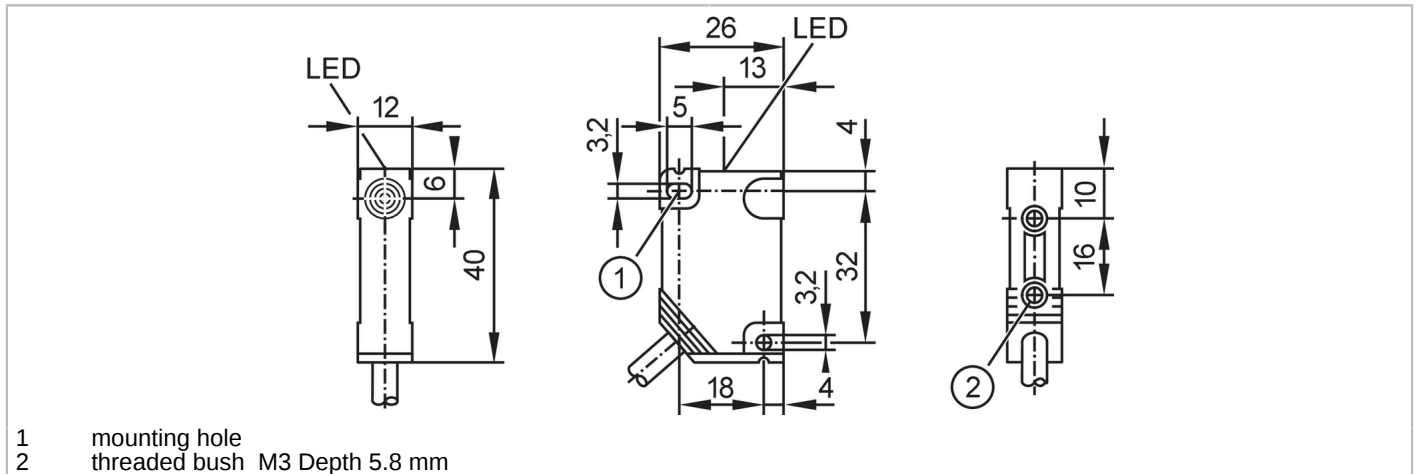


IN0098



Inductive sensor

IN-2004-ABOA



| Product characteristics | | |
|---|------|---|
| Output function | | normally open |
| Sensing range | [mm] | 4 |
| Housing | | rectangular |
| Dimensions | [mm] | 40 x 12 x 26 |
| Electrical data | | |
| Operating voltage | [V] | 20...250 AC/DC |
| Protection class | | II |
| Reverse polarity protection | | no |
| Outputs | | |
| Output function | | normally open |
| Max. voltage drop switching output DC | [V] | 6 |
| Max. voltage drop switching output AC | [V] | 6.7 |
| Minimum load current | [mA] | 5 |
| Max. leakage current | [mA] | 2.0 (250 V AC) / 1.3 (110 V AC) / 0.8 (24 V DC) |
| Permanent current rating of switching output AC | [mA] | 250; (350 (...50 °C)) |
| Permanent current rating of switching output DC | [mA] | 100 |
| Short-time current rating of switching output | [mA] | 2200; (50 ms / 1 Hz) |
| Switching frequency AC | [Hz] | 25 |
| Switching frequency DC | [Hz] | 50 |
| Short-circuit proof | | no |
| Overload protection | | no |
| Monitoring range | | |
| Sensing range | [mm] | 4 |
| Real sensing range Sr | [mm] | 4 ± 10 % |
| Operating distance | [mm] | 0...3.25 |

IN0098



Inductive sensor

IN-2004-ABOA

| Accuracy / deviations | | |
|-------------------------------|---------------------------|---|
| Correction factor | | steel: 1 / stainless steel: 0.9 / brass: 0.6 / aluminum: 0.5 / copper: 0.4 |
| Hysteresis | [% of Sr] | 1...20 |
| Switch-point drift | [% of Sr] | -10...10 |
| Operating conditions | | |
| Ambient temperature | [°C] | -25...80 |
| Protection | | IP 67 |
| Tests / approvals | | |
| EMC | EN 61000-4-2 ESD | 4 kV CD / 8 kV AD |
| | EN 61000-4-3 HF radiated | |
| | EN 61000-4-4 Burst | 2 kV |
| | EN 61000-4-6 HF conducted | 3 V |
| | EN 55011 emission | class B |
| MTTF | [years] | 609 |
| CSA approval | Ta | -25...60 °C |
| | Classification | Class I; Div. 2; Groups A, B, C, D; T4 |
| | | Class II; Div. 2; Groups F, G; T135 °C |
| | | Class III |
| Mechanical data | | |
| Weight | [g] | 105.7 |
| Housing | | rectangular |
| Mounting | | non-flush mountable |
| Dimensions | [mm] | 40 x 12 x 26 |
| Material | | housing: PBT |
| Mounting hole | | |
| Tightening torque | [Nm] | < 0.5 |
| Threaded bush | | |
| Tightening torque | [Nm] | < 1.2; (when brass insert in contact with counterpart) |
| Displays / operating elements | | |
| Display | Switching status | 1 x LED, yellow |
| Electrical connection | | |
| Required protection | | miniature fuse to IEC60127-2 sheet 1; ≤ 2 A; fast acting |
| Remarks | | |
| Remarks | | Recommendation: check the unit for reliable function after a short circuit. |
| Pack quantity | | 1 pcs. |

IN0098



Inductive sensor

IN-2004-ABOA

Electrical connection

Cable: 2 m, PVC; 2 x 0.5 mm²

Connection



Note miniature fuse to IEC60127-2 sheet 1 \leq 2 A fast acting

Core colors :

BN =

brown

BU =

blue