

# IM501A

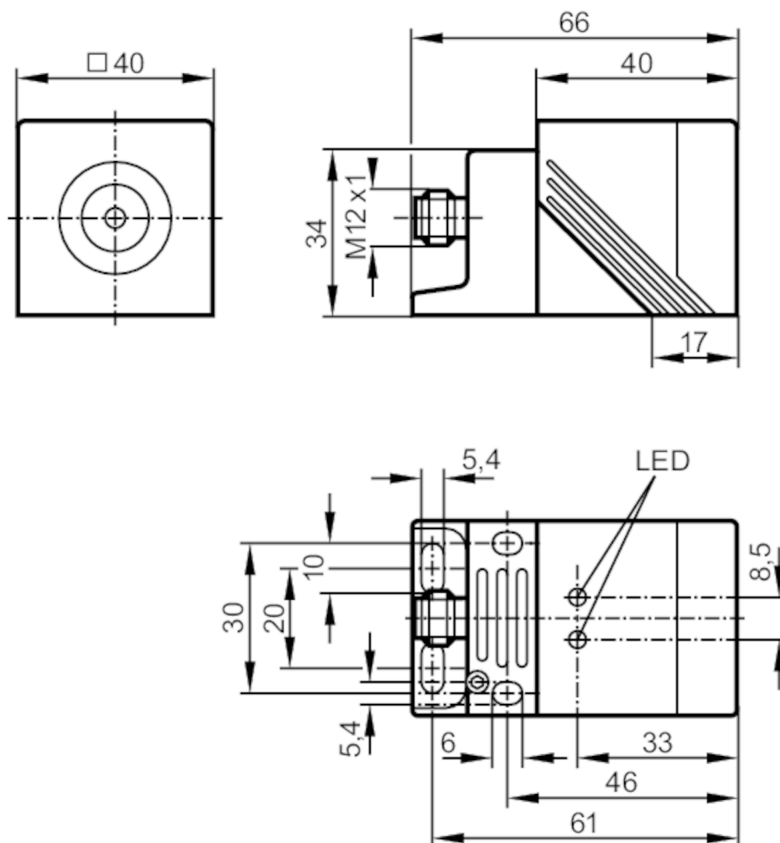
## Inductive sensor

IMC4020BCPKG/K1/US/3D



Article no longer available - archive entry

replaced by: IM512A



### Product characteristics

Electrical design		PNP
Output function		complementary
Sensing range	[mm]	20
Housing		rectangular
Dimensions	[mm]	40 x 40 x 66

### Application

System		correction factor = 1
--------	--	-----------------------

### Electrical data

Operating voltage	[V]	10...36 DC
Current consumption	[mA]	20; (24 V)
Protection class		II
Reverse polarity protection		yes

# IM501A



## Inductive sensor

IMC4020BCPKG/K1/US/3D

Outputs	
Electrical design	PNP
Output function	complementary
Max. voltage drop switching output DC [V]	2.5
Permanent current rating of switching output DC [mA]	200
Switching frequency DC [Hz]	200
Short-circuit protection	yes
Type of short-circuit protection	yes (non-latching)
Overload protection	yes

Monitoring range	
Sensing range [mm]	20
Real sensing range Sr [mm]	20 ± 10 %
Operating distance [mm]	0...16.2

Accuracy / deviations	
Correction factor	steel: 1 / stainless steel: 1.1 / brass: 1.1 / aluminum: 1.1 / copper: 1.1
Hysteresis [% of Sr]	3...15
Switch-point drift [% of Sr]	-10...10
Correction factor = 1	yes

Operating conditions	
Ambient temperature [°C]	-20...60
Protection	IP 67

Tests / approvals	
ATEX marking	II 3D Ex tD A22 IP67 T80°C X
EMC	EN 60947-5-2
MTTF [years]	945

Mechanical data	
Weight [g]	0.174
Housing	rectangular
Mounting	flush mountable
Dimensions [mm]	40 x 40 x 66
Material	housing: PPE; sensing face: PPE; end cap: PPS; connector housing: brass white bronze coated; clamp: PPS

Displays / operating elements		
Display	Switching status	1 x LED, yellow
	Power	1 x LED, green

Remarks	
Pack quantity	1 pcs.

## Electrical connection - plug

Connector: 1 x M12

# IM501A

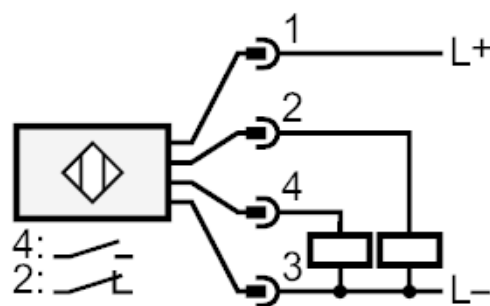


## Inductive sensor

IMC4020BCPKG/K1/US/3D



### Connection



Article no longer available - archive entry

replaced by: IM512A