

IM500A

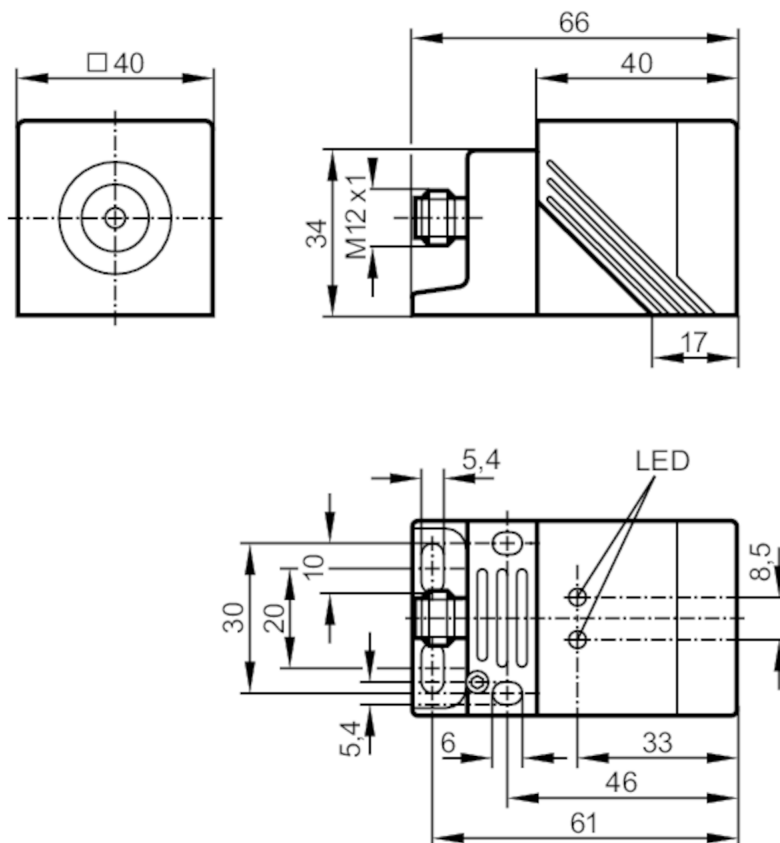
Inductive sensor

IMC4035-CPKG/US/3D



Article no longer available - archive entry

replaced by: IM511A



Product characteristics

Electrical design		PNP
Output function		complementary
Sensing range	[mm]	35
Housing		rectangular
Dimensions	[mm]	40 x 40 x 66

Electrical data


Operating voltage	[V]	10...36 DC
Current consumption	[mA]	20; (24 V)
Protection class		II
Reverse polarity protection		yes

IM500A



Inductive sensor

IMC4035-CPKG/US/3D

Outputs		
Electrical design		PNP
Output function		complementary
Max. voltage drop switching output DC	[V]	2.5
Permanent current rating of switching output DC	[mA]	200
Switching frequency DC	[Hz]	100
Short-circuit protection		yes
Type of short-circuit protection		yes (non-latching)
Overload protection		yes
Monitoring range		
Sensing range	[mm]	35
Real sensing range Sr	[mm]	35 ± 10 %
Operating distance	[mm]	0...28.3
Accuracy / deviations		
Correction factor		steel: 1 / stainless steel: 0.7 / brass: 0.4 / aluminum: 0.3 / copper: 0.2
Hysteresis	[% of Sr]	1...15
Switch-point drift	[% of Sr]	-10...10
Operating conditions		
Ambient temperature	[°C]	-20...60
Protection		IP 67
Tests / approvals		
ATEX marking		 II 3D Ex tD A22 IP67 T80°C X
EMC		EN 60947-5-2
Mechanical data		
Housing		rectangular
Mounting		non-flush mountable
Dimensions	[mm]	40 x 40 x 66
Material		housing: PPE; sensing face: PPE; end cap: PPS; connector housing: brass white bronze coated; clamp: PPS
Displays / operating elements		
Display	Switching status	1 x LED, yellow
	Power	1 x LED, green
Remarks		
Remarks		5 positions of the active zone possible
Pack quantity		1 pcs.
Electrical connection - plug		
Connector: 1 x M12		

IM500A

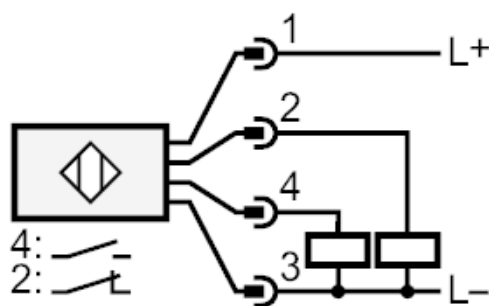


Inductive sensor

IMC4035-CPKG/US/3D



Connection



Article no longer available - archive entry

replaced by: IM511A