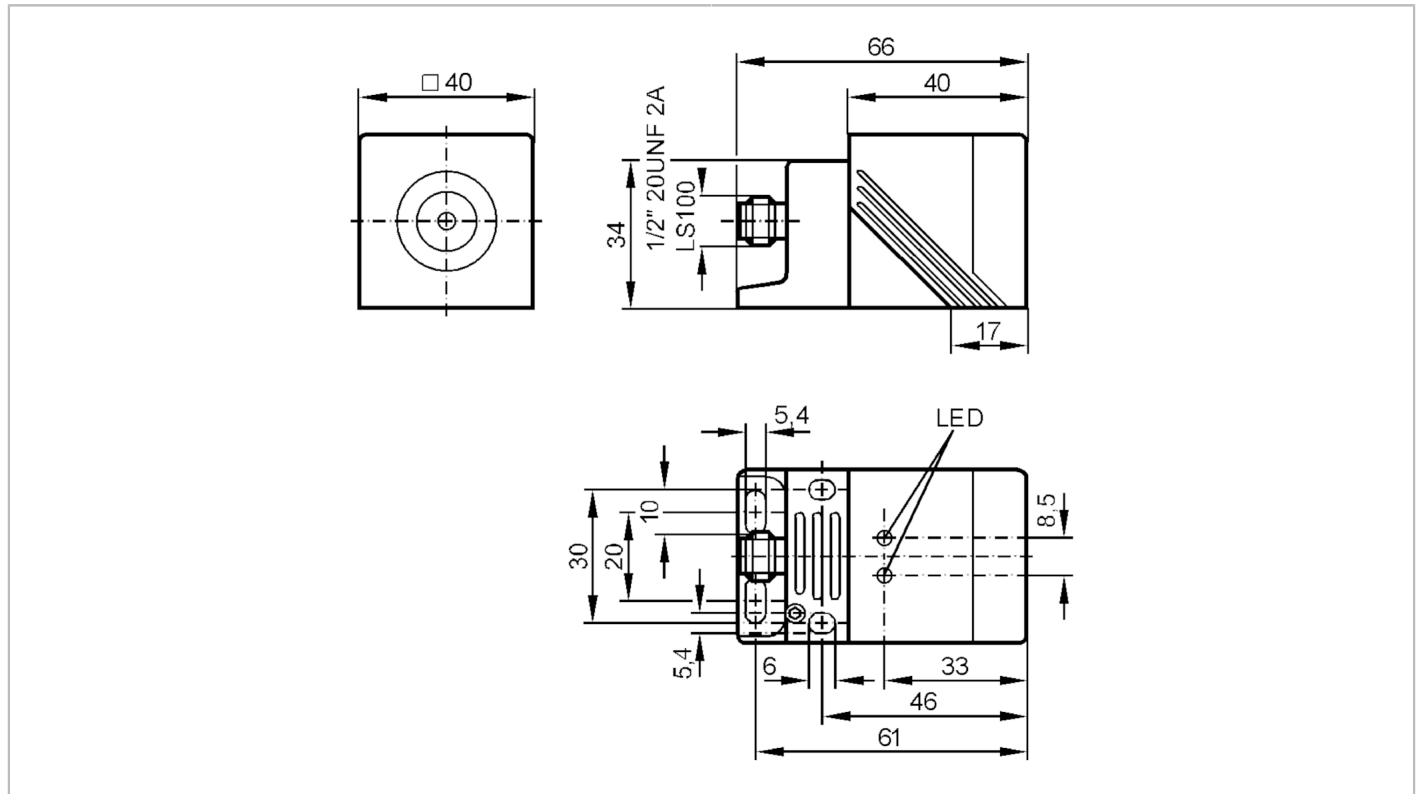


# IM0055



## Inductive sensor

IMC2020BARKA/LS-100AK RT



Product characteristics	
Output function	normally open
Sensing range [mm]	20
Housing	rectangular
Dimensions [mm]	40 x 40 x 66
Electrical data	
Frequency AC [Hz]	47...63
Operating voltage [V]	20...140 AC / 10...140 DC
Protection class	I
Reverse polarity protection	yes
Outputs	
Output function	normally open
Max. voltage drop switching output DC [V]	5.5
Max. voltage drop switching output AC [V]	5.5
Minimum load current [mA]	5.5
Max. leakage current [mA]	1.7 (140 V AC/DC)
Permanent current rating of switching output AC [mA]	450
Permanent current rating of switching output DC [mA]	450
Short-time current rating of switching output [mA]	2200; (20 ms / 0,5 Hz)

# IM0055



## Inductive sensor

IMC2020BARKA/LS-100AK RT

Switching frequency AC	[Hz]	25
Switching frequency DC	[Hz]	100
Short-circuit protection		yes
Type of short-circuit protection		yes (non-latching)
Overload protection		yes

### Monitoring range

Sensing range	[mm]	20
Real sensing range $S_r$	[mm]	$20 \pm 10\%$
Operating distance	[mm]	0...16.2

### Accuracy / deviations

Correction factor		steel: 1 / stainless steel: 0.7 / brass: 0.4 / aluminum: 0.4 / copper: 0.3
Hysteresis	[% of $S_r$ ]	3...20
Switch-point drift	[% of $S_r$ ]	-10...10

### Operating conditions

Ambient temperature	[°C]	-25...70
Protection		IP 67

### Tests / approvals

EMC		EN 60947-5-2
MTTF	[years]	351
UL approval	Ta	0...40 °C
	Enclosure type	Type 1
	File number UL	E174191

### Mechanical data

Weight	[g]	259.5
Housing		rectangular
Mounting		flush mountable
Dimensions	[mm]	40 x 40 x 66
Material		housing: PPE; sensing face: PPE orange; bevelled housing part: diecast zinc; clamp: diecast zinc black; screw: steel galvanized

### Displays / operating elements

Display	Switching status	1 x LED, red
	Power	1 x LED, green
	short circuit	1 x LED, green/red alternately flashing

### Remarks

Remarks	5 positions of the active zone possible
Pack quantity	1 pcs.

# IM0055



## Inductive sensor

IMC2020BARKA/LS-100AK RT

### Electrical connection - plug

Connector: 1 x 1/2"; coding: C; Locking: brass, white bronze coated

