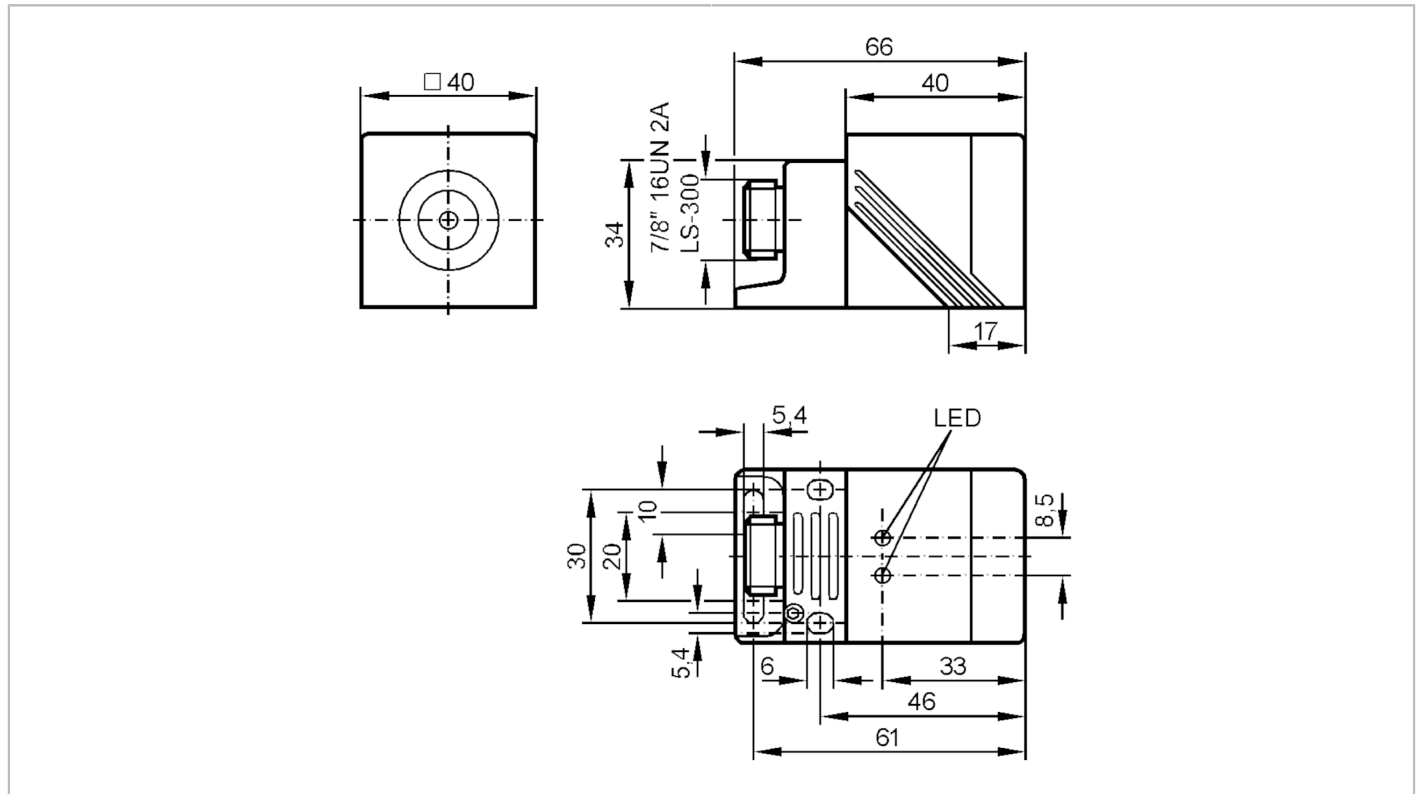


# IM0042



## Inductive sensor

IMC2035-ARKA/LS-300BL



Product characteristics	
Output function	normally open
Sensing range [mm]	35
Housing	rectangular
Dimensions [mm]	40 x 40 x 66
Application	
Special feature	Increased sensing range
Electrical data	
Frequency AC [Hz]	47...63
Operating voltage [V]	20...140 AC / 10...140 DC
Protection class	I
Reverse polarity protection	yes
Outputs	
Output function	normally open
Max. voltage drop switching output DC [V]	5.5
Max. voltage drop switching output AC [V]	5.5
Minimum load current [mA]	5.5
Max. leakage current [mA]	1.7 (140 V AC/DC)
Permanent current rating of switching output AC [mA]	450

# IM0042



## Inductive sensor

IMC2035-ARKA/LS-300BL

Permanent current rating of switching output DC	[mA]	450
Short-time current rating of switching output	[mA]	2200; (20 ms / 0,5 Hz)
Switching frequency AC	[Hz]	25
Switching frequency DC	[Hz]	100
Short-circuit protection		yes
Type of short-circuit protection		yes (non-latching)
Overload protection		yes

<b>Monitoring range</b>		
Sensing range	[mm]	35
Operating distance	[mm]	0...28.3
Increased sensing range		yes

<b>Accuracy / deviations</b>		
Correction factor		steel: 1 / stainless steel: 0.7 / brass: 0.4 / aluminum: 0.4 / copper: 0.3
Hysteresis	[% of Sr]	3...15

<b>Operating conditions</b>		
Ambient temperature	[°C]	-25...70
Protection		IP 67

<b>Tests / approvals</b>		
EMC		EN 60947-5-2
MTTF	[years]	353
UL approval	Ta	0...40 °C
	Enclosure type	Type 1
	File number UL	E174191

<b>Mechanical data</b>		
Weight	[g]	266.5
Housing		rectangular
Mounting		non-flush mountable
Dimensions	[mm]	40 x 40 x 66
Material		PPE; clamp: diecast zinc

<b>Displays / operating elements</b>		
Display	Switching status	1 x LED, red
	Power	1 x LED, green

<b>Remarks</b>		
Remarks		5 positions of the active zone possible
Pack quantity		1 pcs.

# IM0042



## Inductive sensor

IMC2035-ARKA/LS-300BL

### Electrical connection - plug

Connector: 1 x 7/8"; coding: A; Locking: brass

