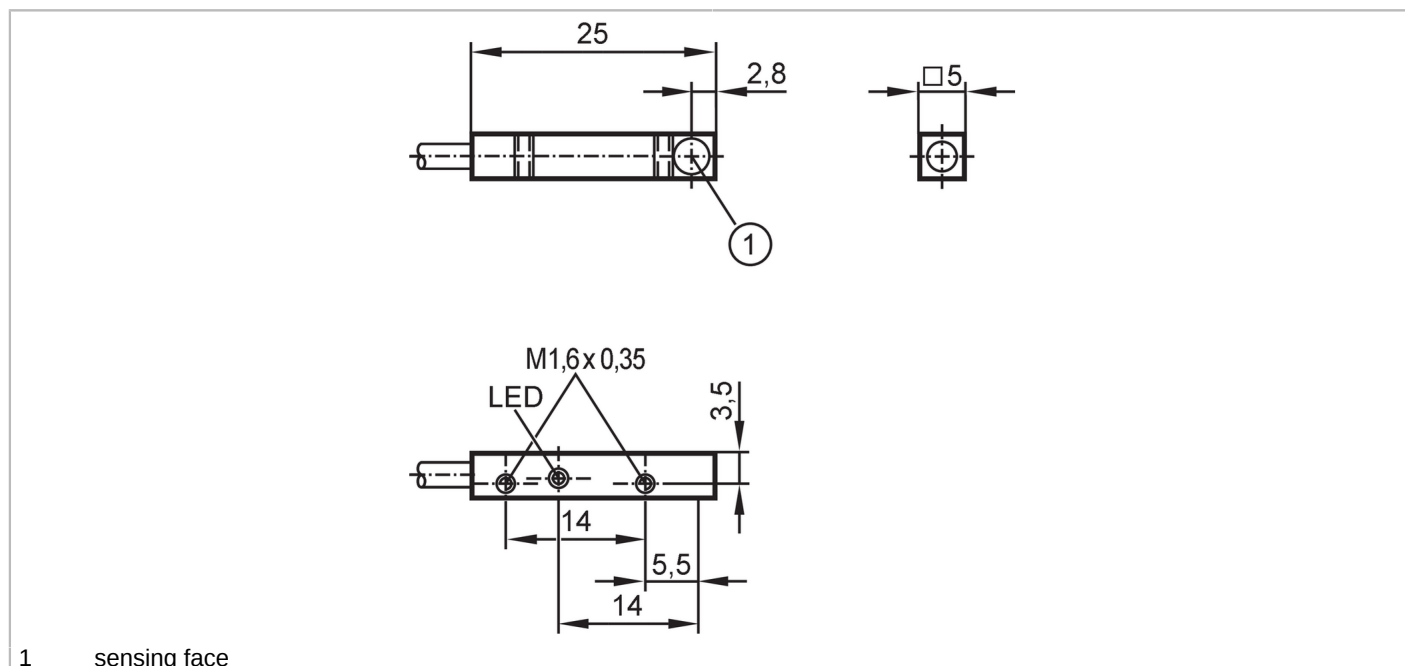


# IL5022



## Inductive sensor

ILB30,8-BPKG/2M PVC



1 sensing face



Product characteristics		
Electrical design		PNP
Output function		normally open
Sensing range	[mm]	0.8
Housing		rectangular
Dimensions	[mm]	25 x 5 x 5
Electrical data		
Operating voltage	[V]	10...30 DC
Current consumption	[mA]	10; (24 V)
Reverse polarity protection		yes
Outputs		
Electrical design		PNP
Output function		normally open
Max. voltage drop switching output DC	[V]	1
Permanent current rating of switching output DC	[mA]	100
Switching frequency DC	[Hz]	1000
Short-circuit protection		yes
Type of short-circuit protection		yes (non-latching)
Overload protection		no
Monitoring range		
Sensing range	[mm]	0.8
Real sensing range Sr	[mm]	0.8 ± 10 %
Operating distance	[mm]	0...0.65

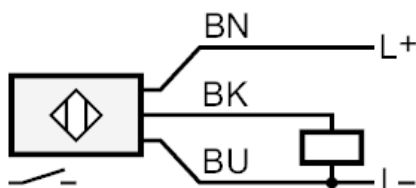
# IL5022



## Inductive sensor

ILB30,8-BPKG/2M PVC

Accuracy / deviations		
Correction factor	steel: 1 / stainless steel: 0.7 / brass: 0.5 / aluminum: 0.4 / copper: 0.3	
Hysteresis [% of Sr]	< 15	
Switch-point drift [% of Sr]	-10...10	
Operating conditions		
Ambient temperature [°C]	-25...70	
Protection	IP 67	
Tests / approvals		
EMC	EN 60947-5-2	
	EN 55011	class B
MTTF [years]	640	
UL approval	Ta	0...40 °C
	voltage supply	Class 2
	File number UL	E174191
Mechanical data		
Weight [g]	54.5	
Housing	rectangular	
Mounting	flush mountable	
Dimensions [mm]	25 x 5 x 5	
Material	housing: aluminum anodized; sensing face: POM	
Displays / operating elements		
Display	Switching status	1 x LED, red
Accessories		
Items supplied	screws: 2	
Remarks		
Pack quantity	1 pcs.	
Electrical connection		
Cable: 2 m, PVC; 3 x 0.14 mm <sup>2</sup>		
Connection		



Core colors :  
BK = black  
BN = brown  
BU = blue