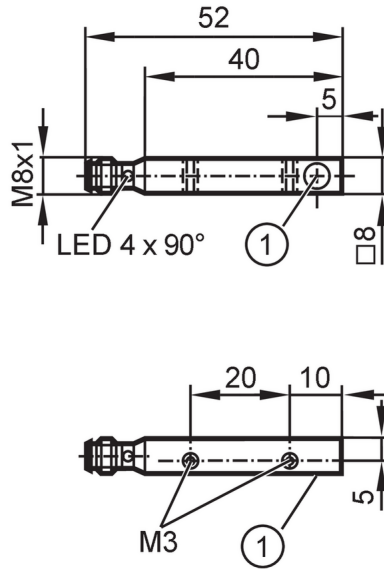


# IL5004



## Inductive sensor

ILA3002-BPKG/OBEN/AS-514TPS RT



1 sensing face



### Product characteristics

Electrical design	PNP
Output function	normally open
Sensing range [mm]	2
Housing	rectangular
Dimensions [mm]	40 x 8 x 8

### Electrical data

Operating voltage [V]	10...36 DC
Current consumption [mA]	15; (24 V)
Protection class	III
Reverse polarity protection	yes

### Outputs

Electrical design	PNP
Output function	normally open
Max. voltage drop switching output DC [V]	1.6
Permanent current rating of switching output DC [mA]	250
Switching frequency DC [Hz]	2000
Short-circuit protection	yes
Type of short-circuit protection	yes (non-latching)
Overload protection	yes

### Monitoring range

Sensing range [mm]	2
Real sensing range $S_r$ [mm]	$2 \pm 10 \%$
Operating distance [mm]	0...1.6

# IL5004



## Inductive sensor

ILA3002-BPKG/OBEN/AS-514TPS RT

### Accuracy / deviations

Correction factor	steel: 1 / stainless steel: 0.7 / brass: 0.4 / aluminum: 0.3 / copper: 0.2	
Hysteresis [% of Sr]		1...15
Switch-point drift [% of Sr]		-10...10

### Operating conditions

Ambient temperature [°C]	-25...70
Protection	IP 65

### Tests / approvals

EMC	EN 60947-5-2	
MTTF [years]		3449
UL approval	Ta	-25...70 °C
	Enclosure type	Type 1
	voltage supply	Limited Voltage/Current
	File number UL	E174191

### Mechanical data

Weight [g]	13.3
Housing	rectangular
Mounting	flush mountable
Dimensions [mm]	40 x 8 x 8
Material	housing: brass white bronze coated; sensing face: LCP
Tightening torque [Nm]	1; (insertion depth: > 5 mm)

### Displays / operating elements

Display	Switching status	1 x LED, red
---------	------------------	--------------

### Remarks

Pack quantity	1 pcs.
---------------	--------

### Electrical connection - plug

Connector: 1 x M8; coding: A; Contacts: 3



### Connection

