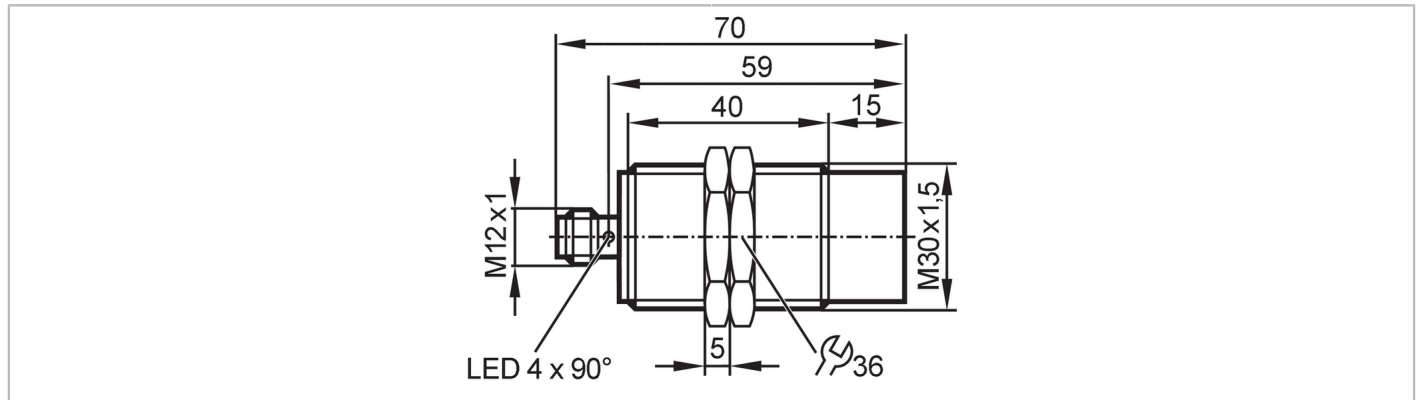




## Inductive sensor

IIC022-ASKG/2LED/V4A/US-104



Product characteristics		
Electrical design		PNP/NPN
Output function		normally open
Sensing range	[mm]	22
Housing		Threaded type
Dimensions	[mm]	M30 x 1.5 / L = 70
Application		
Special feature		gold-plated contacts; Increased sensing range; optical setting aid
Application		Use in hygienic areas / regular cleaning processes
Electrical data		
Operating voltage	[V]	10...30 DC
Current consumption	[mA]	< 15
Protection class		II
Reverse polarity protection		yes
Outputs		
Electrical design		PNP/NPN
Output function		normally open
Max. voltage drop switching output DC	[V]	2.5
Minimum load current	[mA]	2; (only in 2-wire operation)
Max. leakage current	[mA]	0.6
Permanent current rating of switching output DC	[mA]	100
Switching frequency DC	[Hz]	100
Short-circuit protection		yes
Type of short-circuit protection		yes (non-latching)
Overload protection		yes
Monitoring range		
Sensing range	[mm]	22
Real sensing range Sr	[mm]	22 ± 10 %
Operating distance	[mm]	0...17.82



## Inductive sensor

IHKC022-ASKG/2LED/V4A/US-104

Increased sensing range	yes
-------------------------	-----

## Accuracy / deviations

Correction factor	steel: 1 / stainless steel: 0.7 / brass: 0.5 / aluminum: 0.4 / copper: 0.3	
Hysteresis [% of Sr]		1...20
Switch-point drift [% of Sr]		-10...10

## Operating conditions

Ambient temperature [°C]	0...100
Protection	IP 68; IP 69K

## Tests / approvals

EMC	EN 61000-4-2 ESD	4 kV CD / 8 kV AD
	EN 61000-4-3 HF radiated	10 V/m
	EN 61000-4-4 Burst	2 kV
	EN 61000-4-5 Surge	0,5 kV mains line to line
	EN 61000-4-6 HF conducted	10 V
	EN 55011	class B
MTTF [years]		1058
UL approval	Ta	0...40 °C
	Enclosure type	Type 1
	voltage supply	Limited Voltage/Current
	UL approval number	A039
	File number UL	E174191

## Mechanical data

Weight [g]	121.5
Housing	Threaded type
Mounting	non-flush mountable
Dimensions [mm]	M30 x 1.5 / L = 70
Thread designation	M30 x 1.5
Material	housing: stainless steel (1.4404 / 316L); sensing face: PEEK natural; LED window: PEI; lock nuts: stainless steel (1.4404 / 316L)
Tightening torque [Nm]	80

## Displays / operating elements

Display	Switching status	4 x 90° LED, yellow
	Setting aid	1 x LED, red
Optical setting aid		yes

## Accessories

Items supplied	lock nuts: 2
----------------	--------------

## Remarks

Remarks	suitable for PLC type 1 according to IEC 61131-2
Pack quantity	1 pcs.

## Electrical connection - plug

Connector: 1 x M12; coding: A; Contacts: gold-plated





## Inductive sensor

IIC022-ASKG/2LED/V4A/US-104

### Connection

