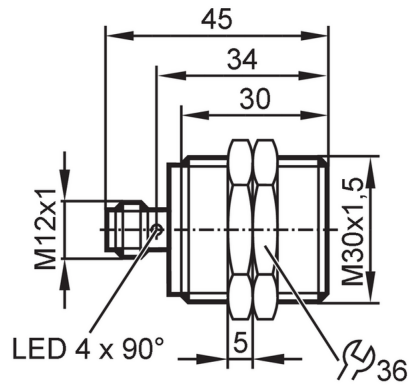




## Inductive sensor

IIB3015BBPKG/K1/V4A/US-104



Product characteristics		
Electrical design		PNP
Output function		normally open
Sensing range	[mm]	15
Housing		Threaded type
Dimensions	[mm]	M30 x 1.5 / L = 45
Application		
Special feature		gold-plated contacts; Increased sensing range; correction factor = 1; Magnetic-field immune
Application		material handling; refrigerated warehouse / shock freezing; Suitable for industrial, mobile, cooling and lubricating applications; Industrial applications
Magnetic-field immune		yes
Max. electromagnetic field immunity	[mT]	300
Electrical data		
Operating voltage	[V]	10...30 DC
Current consumption	[mA]	< 20
Protection class		III
Reverse polarity protection		yes
Outputs		
Electrical design		PNP
Output function		normally open
Max. voltage drop switching output DC	[V]	2.5
Permanent current rating of switching output DC	[mA]	100
Switching frequency DC	[Hz]	2000
Short-circuit protection		yes
Overload protection		yes
Monitoring range		
Sensing range	[mm]	15
Real sensing range Sr	[mm]	15 ± 10 %
Operating distance	[mm]	0...12.15

# IIS281



## Inductive sensor

IIB3015BBPKG/K1/V4A/US-104

Increased sensing range		yes
<b>Accuracy / deviations</b>		
Correction factor		steel: 1 / stainless steel: 1 / brass: 1 / aluminum: 1 / copper: 1
Hysteresis	[% of Sr]	3...15
Switch-point drift	[% of Sr]	-10...10
Correction factor = 1		yes
<b>Operating conditions</b>		
Ambient temperature	[°C]	-40...85
Protection		IP 65; IP 66; IP 67; IP 68; IP 69K
<b>Tests / approvals</b>		
EMC	EN 61000-4-2 ESD	4 kV CD / 8 kV AD
	EN 61000-4-3 HF radiated	10 V/m
	EN 61000-4-4 Burst	2 kV
	EN 61000-4-6 HF conducted	10 V
	EN 55011	class B
Vibration resistance	EN 60068-2-6 Fc	20 g (10...3000 Hz) / 50 sweep cycles per frequency; 1 octave per minute in 3 axes
Shock resistance	EN 60068-2-27 Ea	100 g 11 ms half-sine; 3 shocks each in every direction of the 3 coordinate axes
Continuous shock resistance	EN 60068-2-27	40 g 6 ms; 4000 shocks each in every direction of the 3 coordinate axes
Fast temperature changes	EN 60068-2-14 Na	TA = -40 °C; TB = 85 °C; t1 = 30 min; t2 = < 10 s; 50 cycles
Salt spray test	EN 60068-2-52 Kb	severity level 5 (4 test cycles)
MTTF	[years]	471
Embedded software included		yes
UL approval	Ta	-25...70 °C
	Enclosure type	Type 1
	voltage supply	Limited Voltage/Current
	UL approval number	A005
	File number UL	E174191
<b>Mechanical data</b>		
Weight	[g]	77.8
Housing		Threaded type
Mounting		flush mountable
Dimensions	[mm]	M30 x 1.5 / L = 45
Thread designation		M30 x 1.5
Material		stainless steel (1.4404 / 316L); sensing face: LCP white; LED window: PEI; lock nuts: stainless steel (1.4404 / 316L)
<b>Displays / operating elements</b>		
Display	Switching status	4 x LED, yellow
<b>Accessories</b>		
Items supplied		lock nuts: 2
<b>Remarks</b>		
Pack quantity		1 pcs.

# IIS281



## Inductive sensor

IIB3015BBPKG/K1/V4A/US-104

### Electrical connection - plug

Connector: 1 x M12; coding: A; Contacts: gold-plated



### Connection

