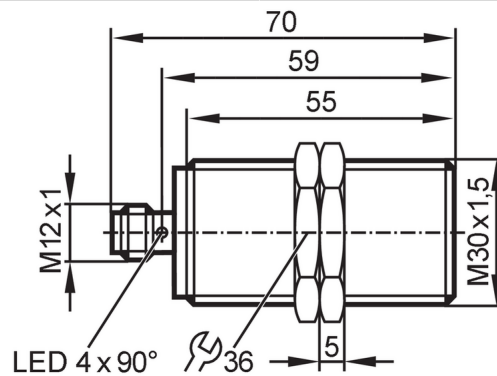


# IIS210



## Inductive sensor

IHK3015BBPKG/US-104



### Product characteristics

Electrical design		PNP
Output function		normally open
Sensing range	[mm]	15
Housing		Threaded type
Dimensions	[mm]	M30 x 1.5 / L = 70

### Application

Special feature		gold-plated contacts
Application		Industrial applications

### Electrical data

Operating voltage	[V]	10...30 DC
Current consumption	[mA]	10
Protection class		II
Reverse polarity protection		yes

### Outputs

Electrical design		PNP
Output function		normally open
Max. voltage drop switching output DC	[V]	2.5
Permanent current rating of switching output DC	[mA]	100
Switching frequency DC	[Hz]	100
Short-circuit protection		yes
Type of short-circuit protection		yes (non-latching)
Overload protection		yes

### Monitoring range

Sensing range	[mm]	15
Real sensing range Sr	[mm]	15 ± 10 %
Operating distance	[mm]	0...12.15

### Accuracy / deviations

Correction factor		steel: 1 / stainless steel: 0.7 / brass: 0.5 / aluminum: 0.4 / copper: 0.3
-------------------	--	--

# IIS210



## Inductive sensor

IHK3015BBPKG/US-104

Hysteresis	[% of Sr]	1...20
Switch-point drift	[% of Sr]	-10...10

### Operating conditions

Ambient temperature	[°C]	-25...70
Protection		IP 67

### Tests / approvals

EMC	EN 61000-4-2 ESD	4 kV CD / 8 kV AD
	EN 61000-4-3 HF radiated	10 V/m
	EN 61000-4-4 Burst	2 kV
	EN 61000-4-5 Surge	0,5 kV
	EN 61000-4-6 HF conducted	10 V
	EN 55011	class B
MTTF	[years]	1134
UL approval	Ta	0...40 °C
	Enclosure type	Type 1
	voltage supply	Limited Voltage/Current
	UL approval number	A001
	File number UL	E174191

### Mechanical data

Weight	[g]	126.5
Housing		Threaded type
Mounting		flush mountable
Dimensions	[mm]	M30 x 1.5 / L = 70
Thread designation		M30 x 1.5
Material		housing: stainless steel (1.4404 / 316L); sensing face: PBT orange; LED window: PEI; lock nuts: brass white bronze coated
Tightening torque	[Nm]	80

### Displays / operating elements

Display	Switching status	4 x LED, yellow
---------	------------------	-----------------

### Accessories

Items supplied	lock nuts: 2
----------------	--------------

### Remarks

Pack quantity	1 pcs.
---------------	--------

### Electrical connection - plug

Connector: 1 x M12; coding: A; Contacts: 3, gold-plated



# IIS210



## Inductive sensor

IIK3015BBPKG/US-104

### Connection

