

# II5913



## Inductive analog sensor

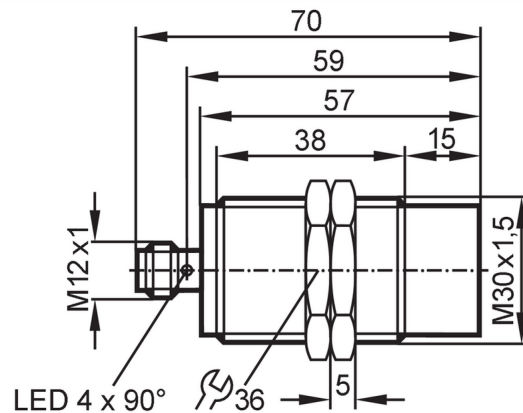
IIK3015A1PKG/US

Article to be discontinued

Alternative articles: II6913

When selecting an alternative article and accessories please note that technical data may differ!

IO-Link enabled inductive sensors



### Product characteristics

Housing		Threaded type
Dimensions	[mm]	M30 x 1.5 / L = 70

### Electrical data

Operating voltage	[V]	15...30 DC
Current consumption	[mA]	< 20
Protection class		II
Reverse polarity protection		yes

### Outputs

Analog current output	[mA]	4...20; (linear; gradient: 1,143 mA/mm; for frontal approach and for target made of mild steel: 45 x 45 x 1 mm)
Max. load	[Ω]	500
Short-circuit protection		yes
Overload protection		yes

### Monitoring range

Measuring range	[mm]	1...15
-----------------	------	--------

### Accuracy / deviations

Correction factor		steel: 1 / stainless steel: 0.7 / brass: 0.5 / aluminum: 0.4 / copper: 0.3
Linearity error of analog output	[%]	± 1 %; (of IA max)
Repeatability analog output	[%]	± 1 %; (of IA max)

### Reaction times

Response time	[ms]	< 20
---------------	------	------

### Operating conditions

Ambient temperature	[°C]	-25...80
---------------------	------	----------

# II5913



## Inductive analog sensor

IIK3015A1PKG/US

Protection	IP 67
------------	-------

### Tests / approvals

EMC	EN 60947-5-2
MTTF [years]	964

### Mechanical data

Weight [g]	125.42
Housing	Threaded type
Mounting	non-flush mountable
Dimensions [mm]	M30 x 1.5 / L = 70
Thread designation	M30 x 1.5
Material	housing: brass white bronze coated; sensing face: PBT
Tightening torque [Nm]	50

### Displays / operating elements

Display	within the operating range	1 x LED, yellow lights
	outside the operating range	1 x LED, yellow flashing

### Accessories

Items supplied	lock nuts: 2
----------------	--------------

### Remarks

Pack quantity	1 pcs.
---------------	--------

### Electrical connection - plug

Connector: 1 x M12; coding: A



### Connection

