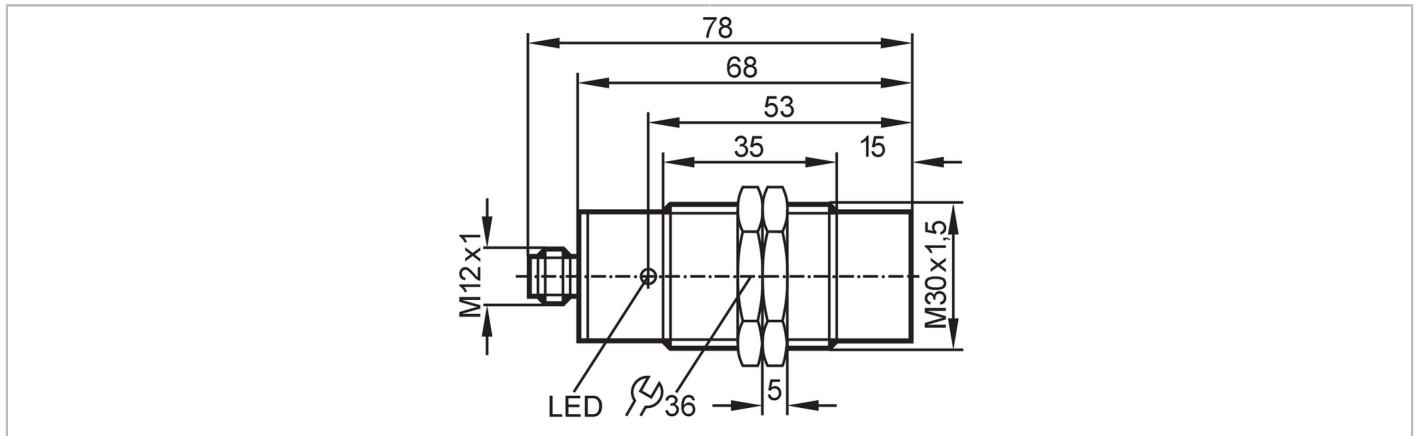


II5492



Inductive sensor

IIA2015-FRKG/US-100-IRF



Product characteristics	
Electrical design	PNP/NPN
Output function	normally open / closed; (selectable)
Sensing range [mm]	15
Housing	Threaded type
Dimensions [mm]	M30 x 1.5 / L = 78
Electrical data	
Operating voltage [V]	10...55 DC
Protection class	II
Reverse polarity protection	yes
Outputs	
Electrical design	PNP/NPN
Output function	normally open / closed; (selectable)
Max. voltage drop switching output DC [V]	4.6
Minimum load current [mA]	4
Max. leakage current [mA]	0.5
Permanent current rating of switching output DC [mA]	400
Switching frequency DC [Hz]	200
Short-circuit protection	yes
Type of short-circuit protection	yes (non-latching)
Overload protection	yes
Monitoring range	
Sensing range [mm]	15
Real sensing range Sr [mm]	15 ± 10 %
Operating distance [mm]	0...12.1
Accuracy / deviations	
Correction factor	steel: 1 / stainless steel: 0.7 / brass: 0.4 / aluminum: 0.3 / copper: 0.2
Hysteresis [% of Sr]	1...15

II5492



Inductive sensor

IIA2015-FRKG/US-100-IRF

Switch-point drift	[% of Sr]	-10...10
--------------------	-----------	----------

Operating conditions

Ambient temperature	[°C]	-25...80
---------------------	------	----------

Protection		IP 67
------------	--	-------

Tests / approvals

EMC	EN 60947-5-2	
-----	--------------	--

	EN 55011	class B
--	----------	---------

MTTF	[years]	1835
------	---------	------

Mechanical data

Weight	[g]	142
--------	-----	-----

Housing		Threaded type
---------	--	---------------

Mounting		non-flush mountable
----------	--	---------------------

Dimensions	[mm]	M30 x 1.5 / L = 78
------------	------	--------------------

Thread designation		M30 x 1.5
--------------------	--	-----------

Material		housing: brass white bronze coated; sensing face: PBT
----------	--	---

Displays / operating elements

Display	Switching status	1 x LED, yellow
---------	------------------	-----------------

Accessories

Items supplied		lock nuts: 2
----------------	--	--------------

Remarks

Pack quantity		1 pcs.
---------------	--	--------

Electrical connection - plug

Connector: 1 x M12; coding: A

