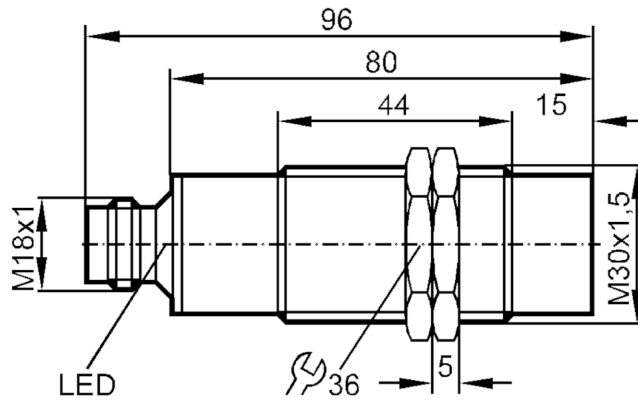




Inductive sensor

I1A2015-ABOA/BS-301-A RT



Product characteristics

| | | |
|-----------------|------|--------------------|
| Output function | | normally open |
| Sensing range | [mm] | 15 |
| Housing | | Threaded type |
| Dimensions | [mm] | M30 x 1.5 / L = 96 |

Electrical data

| | | |
|-----------------------------|-----|----------------|
| Operating voltage | [V] | 20...250 AC/DC |
| Protection class | | II |
| Reverse polarity protection | | yes |

Outputs

| | | |
|---|------|---|
| Output function | | normally open |
| Max. voltage drop switching output DC | [V] | 6.5 |
| Max. voltage drop switching output AC | [V] | 6.5 |
| Minimum load current | [mA] | 5 |
| Max. leakage current | [mA] | 2.5 (250 V AC) / 1.3 (110 V AC) / 0.8 (24 V DC) |
| Permanent current rating of switching output AC | [mA] | 250; (350 (...50 °C)) |
| Permanent current rating of switching output DC | [mA] | 100 |
| Short-time current rating of switching output | [mA] | 2200; (20 ms / 0,5 Hz) |
| Switching frequency AC | [Hz] | 25 |
| Switching frequency DC | [Hz] | 25 |
| Short-circuit proof | | no |

II0285



Inductive sensor

IIA2015-ABOA/BS-301-A RT

| | | |
|--------------------------------------|------------------|---|
| Overload protection | | yes |
| Monitoring range | | |
| Sensing range | [mm] | 15 |
| Real sensing range Sr | [mm] | 15 ± 10 % |
| Operating distance | [mm] | 0...12.1 |
| Accuracy / deviations | | |
| Correction factor | | steel: 1 / stainless steel: 0.7 / brass: 0.5 / aluminum: 0.4 / copper: 0.3 |
| Hysteresis | [% of Sr] | 3...15 |
| Switch-point drift | [% of Sr] | -10...10 |
| Operating conditions | | |
| Ambient temperature | [°C] | -25...80 |
| Protection | | IP 67 |
| Tests / approvals | | |
| EMC | EN 60947-5-2 | |
| | EN 55011 | class B |
| MTTF | [years] | 607 |
| UL approval | Ta | 0...40 °C |
| | Enclosure type | Type 1 |
| | File number UL | E174191 |
| Mechanical data | | |
| Weight | [g] | 170 |
| Housing | | Threaded type |
| Mounting | | non-flush mountable |
| Dimensions | [mm] | M30 x 1.5 / L = 96 |
| Thread designation | | M30 x 1.5 |
| Material | | housing: brass nickel-plated; sensing face: PC |
| Displays / operating elements | | |
| Display | Switching status | 1 x LED, red |
| Electrical connection | | |
| Required protection | | miniature fuse to IEC60127-2 sheet 1; ≤ 2 A; fast acting |
| Accessories | | |
| Items supplied | | lock nuts: 2 |
| Remarks | | |
| Remarks | | Recommendation: check the unit for reliable function after a short circuit. |
| Pack quantity | | 1 pcs. |

II0285

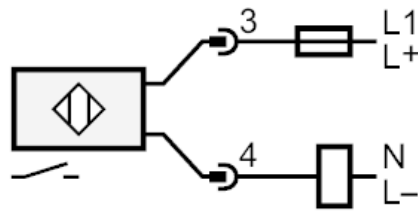


Inductive sensor

IIA2015-ABOA/BS-301-A RT

Electrical connection - plug

Connector: 1 x M18; coding: A



Note miniature fuse to IEC60127-2 sheet 1 \leq 2 A fast acting