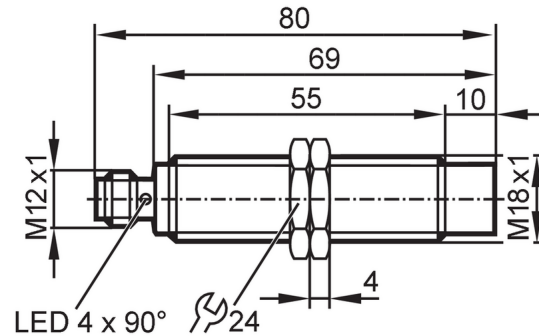


IG5842



Inductive sensor

IGA4008-CPKG/US-104



Product characteristics

Electrical design	PNP
Output function	complementary
Sensing range [mm]	8
Housing	Threaded type
Dimensions [mm]	M18 x 1 / L = 80

Electrical data

Operating voltage [V]	10...30 DC
Current consumption [mA]	< 10
Protection class	II
Reverse polarity protection	yes

Outputs

Electrical design	PNP
Output function	complementary
Max. voltage drop switching output DC [V]	2.5
Permanent current rating of switching output DC [mA]	200
Switching frequency DC [Hz]	300
Short-circuit protection	yes
Overload protection	yes

Monitoring range

Sensing range [mm]	8
Real sensing range Sr [mm]	8 ± 10 %
Operating distance [mm]	0...6.48

Accuracy / deviations

Correction factor	steel: 1 / stainless steel: 0.7 / brass: 0.5 / aluminum: 0.4 / copper: 0.3
Hysteresis [% of Sr]	3...15
Switch-point drift [% of Sr]	-10...10

Operating conditions

Ambient temperature [°C]	-25...80
Protection	IP 65

IG5842



Inductive sensor

IGA4008-CPKG/US-104

Tests / approvals

EMC	EN 60947-5-2	
	EN 55011	class B
MTTF [years]		1349
Embedded software included		yes

Mechanical data

Weight [g]	70.5
Housing	Threaded type
Mounting	non-flush mountable
Dimensions [mm]	M18 x 1 / L = 80
Thread designation	M18 x 1
Material	housing: brass white bronze coated; LED window: PEI; lock nuts: brass white bronze coated; sensing face: PBT orange

Displays / operating elements

Display	Switching status	1 x LED, yellow
---------	------------------	-----------------

Accessories

Items supplied	lock nuts: 2
----------------	--------------

Remarks

Pack quantity	1 pcs.
---------------	--------

Electrical connection - plug

Connector: 1 x M12; coding: A; Contacts: 4



Connection

