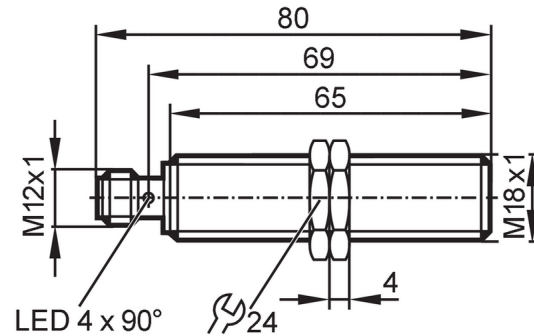


# IG5554



## Inductive sensor

IGA3005-BPKG/US-104



### Product characteristics

Electrical design	PNP
Output function	normally open
Sensing range [mm]	5
Housing	Threaded type
Dimensions [mm]	M18 x 1 / L = 80

### Application

Special feature	gold-plated contacts
-----------------	----------------------

### Electrical data

Operating voltage [V]	10...30 DC
Current consumption [mA]	< 10
Protection class	II
Reverse polarity protection	yes

### Outputs

Electrical design	PNP
Output function	normally open
Max. voltage drop switching output DC [V]	2.5
Permanent current rating of switching output DC [mA]	200
Switching frequency DC [Hz]	500
Short-circuit protection	yes
Overload protection	yes

### Monitoring range

Sensing range [mm]	5
Real sensing range $S_r$ [mm]	$5 \pm 10\%$
Operating distance [mm]	0...4.05

### Accuracy / deviations

Correction factor	steel: 1 / stainless steel: 0.7 / brass: 0.5 / aluminum: 0.4 / copper: 0.3
Hysteresis [% of $S_r$ ]	3...15
Switch-point drift [% of $S_r$ ]	-10...10

# IG5554



## Inductive sensor

IGA3005-BPKG/US-104

### Operating conditions

Ambient temperature	[°C]	-25...80
Protection		IP 67

### Tests / approvals

EMC	EN 61000-4-2 ESD	4 kV CD / 8 kV AD
	EN 61000-4-3 HF radiated	10 V/m
	EN 61000-4-4 Burst	2 kV
	EN 61000-4-6 HF conducted	10 V
	EN 55011	class B
MTTF	[years]	1083
Embedded software included		no
UL approval	Ta	0...40 °C
	Enclosure type	Type 1
	voltage supply	Limited Voltage/Current
	UL approval number	A069
	File number UL	E174191

### Mechanical data

Weight	[g]	56.5
Housing		Threaded type
Mounting		flush mountable
Dimensions	[mm]	M18 x 1 / L = 80
Thread designation		M18 x 1
Material		housing: brass white bronze coated; sensing face: PBT orange; LED window: PEI; lock nuts: brass white bronze coated

### Displays / operating elements

Display	Switching status	4 x 90° LED, yellow
---------	------------------	---------------------

### Accessories

Items supplied		lock nuts: 2
----------------	--	--------------

### Remarks

Pack quantity		1 pcs.
---------------	--	--------

### Electrical connection - plug

Connector: 1 x M12; coding: A; Contacts: 3, gold-plated



# IG5554



## Inductive sensor

IGA3005-BPKG/US-104

### Connection

