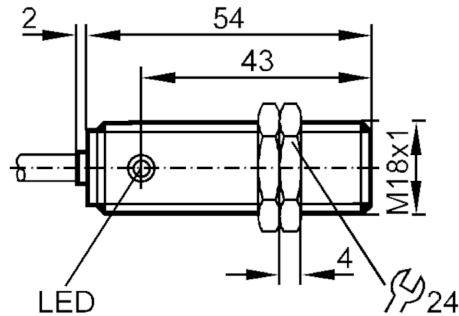




Inductive sensor

IGC2008-BBOA



Product characteristics

| | | |
|-----------------|------|------------------|
| Output function | | normally closed |
| Sensing range | [mm] | 8 |
| Housing | | Threaded type |
| Dimensions | [mm] | M18 x 1 / L = 56 |

Electrical data

| | | |
|-----------------------------|-----|----------------|
| Operating voltage | [V] | 20...250 AC/DC |
| Protection class | | II |
| Reverse polarity protection | | no |

Outputs

| | | |
|---|------|--------------------------------|
| Output function | | normally closed |
| Max. voltage drop switching output DC | [V] | 6.5 |
| Max. voltage drop switching output AC | [V] | 6.5 |
| Minimum load current | [mA] | 5 |
| Max. leakage current | [mA] | 2.5 (250 V AC) / 0.8 (24 V DC) |
| Permanent current rating of switching output AC | [mA] | 250; (350 (...50 °C)) |
| Permanent current rating of switching output DC | [mA] | 100 |
| Short-time current rating of switching output | [mA] | 2200; (20 ms / 0,5 Hz) |
| Switching frequency AC | [Hz] | 25 |
| Switching frequency DC | [Hz] | 50 |
| Short-circuit proof | | no |

IG0363



Inductive sensor

IGC2008-BBOA

| | | |
|--------------------------------------|------------------|---|
| Overload protection | | no |
| Monitoring range | | |
| Sensing range | [mm] | 8 |
| Real sensing range Sr | [mm] | 8 ± 10 % |
| Operating distance | [mm] | 0...6.5 |
| Accuracy / deviations | | |
| Correction factor | | steel: 1 / stainless steel: 0.7 / brass: 0.4 / aluminum: 0.3 / copper: 0.2 |
| Hysteresis | [% of Sr] | 1...15 |
| Switch-point drift | [% of Sr] | -10...10 |
| Operating conditions | | |
| Ambient temperature | [°C] | -25...80 |
| Protection | | IP 67 |
| Tests / approvals | | |
| EMC | EN 60947-5-2 | |
| | EN 55011 | class B |
| MTTF | [years] | 604 |
| UL approval | Ta | 0...40 °C |
| | Enclosure type | Type 1 |
| | File number UL | E174191 |
| Mechanical data | | |
| Weight | [g] | 110 |
| Housing | | Threaded type |
| Mounting | | non-flush mountable |
| Dimensions | [mm] | M18 x 1 / L = 56 |
| Thread designation | | M18 x 1 |
| Material | | housing: PBT |
| Displays / operating elements | | |
| Display | Switching status | 1 x LED, yellow |
| Electrical connection | | |
| Required protection | | miniature fuse to IEC60127-2 sheet 1; ≤ 2 A; fast acting |
| Accessories | | |
| Items supplied | | lock nuts: 2 |
| Remarks | | |
| Remarks | | Recommendation: check the unit for reliable function after a short circuit. |
| Pack quantity | | 1 pcs. |

IG0363



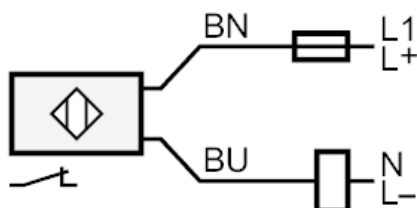
Inductive sensor

IGC2008-BBOA

Electrical connection

Cable: 2 m, PVC; 2 x 0.5 mm²

Connection



Note miniature fuse to IEC60127-2 sheet 1 \leq 2 A fast acting

Core colors :

BN =

brown

BU =

blue