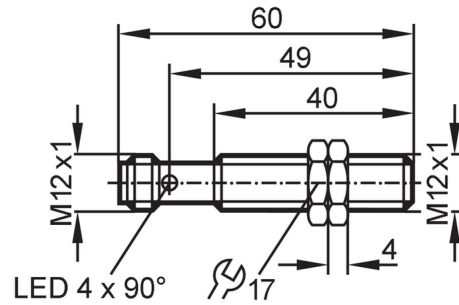


IFC264



Inductive full-metal sensor

IFK32,5BAPKG/AM/US-104/K0



Product characteristics

Electrical design	PNP
Output function	normally closed
Sensing range [mm]	2.5
Housing	Threaded type
Dimensions [mm]	M12 x 1 / L = 60

Application

Special feature	gold-plated contacts; Increased sensing range; Full-metal housing; correction factor = 0	
Application	Oils and coolants; Ferrous only; aluminum chip immune	
Pressure rating	100 bar	10 MPa
Note on pressure rating	sensing face	

Electrical data

Operating voltage [V]	10...30 DC
Current consumption [mA]	< 20
Protection class	III
Reverse polarity protection	yes

Outputs

Electrical design	PNP
Output function	normally closed
Max. voltage drop switching output DC [V]	2.5
Permanent current rating of switching output DC [mA]	100
Switching frequency DC [Hz]	100
Short-circuit protection	yes
Type of short-circuit protection	yes (non-latching)
Overload protection	yes

Monitoring range

Sensing range [mm]	2.5
Operating distance [mm]	0...2.02
Increased sensing range	yes

Accuracy / deviations

Correction factor	steel: 1 / stainless steel: 0.5
-------------------	---------------------------------

IFC264



Inductive full-metal sensor

IFK32,5BAPKG/AM/US-104/K0

Correction factor = 0	yes
-----------------------	-----

Operating conditions

Ambient temperature [°C]	-25...70
Protection	IP 68; ("Coolant")

Tests / approvals

EMC	EN 61000-4-2 ESD	4 kV CD / 8 kV AD
	EN 61000-4-3 HF radiated	10 V/m
	EN 61000-4-4 Burst	2 kV
	EN 61000-4-6 HF conducted	10 V
	EN 55011	class B
Impact resistance		1 J
MTTF [years]		1114
Embedded software included		yes
UL approval	Ta	-25...70 °C
	Enclosure type	Type 1
	voltage supply	Limited Voltage/Current
	UL approval number	A012
	File number UL	E174191

Mechanical data

Weight [g]	28
Housing	Threaded type
Mounting	flush mountable
Dimensions [mm]	M12 x 1 / L = 60
Thread designation	M12 x 1
Material	housing: stainless steel (1.4404 / 316L); sensing face: stainless steel (1.4404 / 316L); LED window: PEI; lock nuts: brass white bronze coated
Tightening torque [Nm]	15
Full-metal housing	yes

Displays / operating elements

Display	Switching status	4 x 90° LED, yellow
---------	------------------	---------------------

Accessories

Items supplied	lock nuts: 2
----------------	--------------

Remarks

Pack quantity	1 pcs.
---------------	--------

Electrical connection



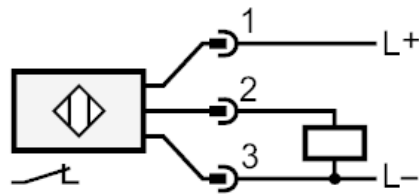
IFC264



Inductive full-metal sensor

IFK32,5BAPKG/AM/US-104/K0

Connection



Electrical connection - plug

Connector: 1 x M12; Contacts: gold-plated