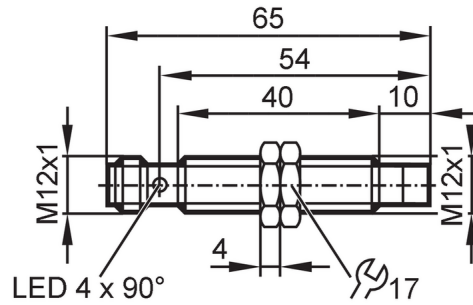


# IFC246



## Inductive sensor

IFK3008-BPKG/K1/V4A/US-104



### Product characteristics

Electrical design	PNP
Output function	normally open
Sensing range [mm]	8
Housing	Threaded type
Dimensions [mm]	M12 x 1 / L = 65

### Application

Special feature	gold-plated contacts; correction factor = 1; Magnetic-field immune
Application	Oils and coolants
Magnetic-field immune	yes
Max. electromagnetic field immunity [mT]	300

### Electrical data

Operating voltage [V]	10...30 DC
Current consumption [mA]	20
Protection class	II
Reverse polarity protection	yes

### Outputs

Electrical design	PNP
Output function	normally open
Max. voltage drop switching output DC [V]	2.5
Permanent current rating of switching output DC [mA]	100
Switching frequency DC [Hz]	2000
Short-circuit protection	yes
Overload protection	yes

### Monitoring range

Sensing range [mm]	8
Real sensing range Sr [mm]	8 ± 10 %
Operating distance [mm]	0...6.5

### Accuracy / deviations

Correction factor	steel: 1 / stainless steel: 1 / brass: 1 / aluminum: 1 / copper: 1
Hysteresis [% of Sr]	3...15

# IFC246



## Inductive sensor

IFK3008-BPKG/K1/V4A/US-104

Switch-point drift	[% of Sr]	-10...10
Correction factor = 1		yes

### Operating conditions

Ambient temperature	[°C]	-25...70
Protection		IP 68; ("Coolant")

### Tests / approvals

EMC	EN 61000-4-2 ESD	4 kV CD / 8 kV AD
	EN 61000-4-3 HF radiated	10 V/m
	EN 61000-4-4 Burst	2 kV
	EN 61000-4-6 HF conducted	10 V
	EN 55011 emission	class B
MTTF	[years]	661
Embedded software included		yes
UL approval	Ta	-25...70 °C
	Enclosure type	Type 1
	voltage supply	Limited Voltage/Current
	UL approval number	A005
	File number UL	E174191

### Mechanical data

Weight	[g]	27.5
Housing		Threaded type
Mounting		non-flush mountable
Dimensions	[mm]	M12 x 1 / L = 65
Thread designation		M12 x 1
Material		housing: stainless steel (1.4404 / 316L); sensing face: LCP white; LED window: PEI; lock nuts: brass white bronze coated

### Displays / operating elements

Display	Switching status	4 x 90° LED, yellow
---------	------------------	---------------------

### Accessories

Items supplied		lock nuts: 2
----------------	--	--------------

### Remarks

Pack quantity		1 pcs.
---------------	--	--------

### Electrical connection - plug

Connector: 1 x M12; coding: A; Contacts: gold-plated



# IFC246



## Inductive sensor

IFK3008-BPKG/K1/V4A/US-104

### Connection

