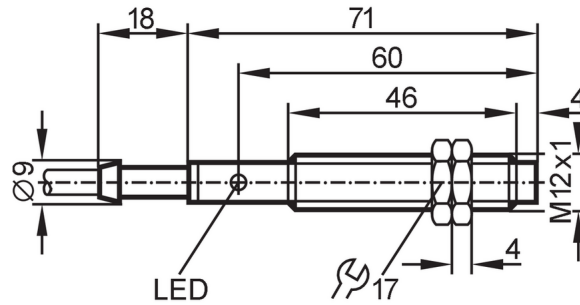


IF5329



Inductive sensor

IFA3004-BPKG



Product characteristics

Electrical design	PNP
Output function	normally open
Sensing range [mm]	4
Housing	Threaded type
Dimensions [mm]	M12 x 1 / L = 71

Electrical data

Operating voltage [V]	10...36 DC
Current consumption [mA]	15; (24 V)
Protection class	II
Reverse polarity protection	yes

Outputs

Electrical design	PNP
Output function	normally open
Max. voltage drop switching output DC [V]	2.5
Permanent current rating of switching output DC [mA]	250
Switching frequency DC [Hz]	1500
Short-circuit protection	yes
Type of short-circuit protection	yes (non-latching)
Overload protection	yes

Monitoring range

Sensing range [mm]	4
Real sensing range Sr [mm]	4 ± 10 %
Operating distance [mm]	0...3.25

Accuracy / deviations

Correction factor	steel: 1 / stainless steel: 0.7 / brass: 0.4 / aluminum: 0.3 / copper: 0.2
Hysteresis [% of Sr]	1...15
Switch-point drift [% of Sr]	-10...10

Operating conditions

Ambient temperature [°C]	-25...80
Protection	IP 67

IF5329



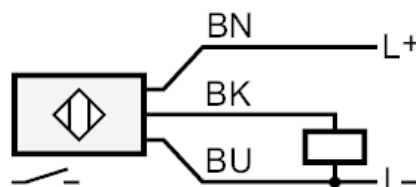
Inductive sensor

IFA3004-BPKG

Tests / approvals		
EMC	EN 60947-5-2	
	EN 55011	class B
MTTF [years]		1874
Mechanical data		
Weight [g]		101.2
Housing		Threaded type
Mounting		non-flush mountable
Dimensions [mm]		M12 x 1 / L = 71
Thread designation		M12 x 1
Material		housing: brass white bronze coated; sensing face: PC
Displays / operating elements		
Display	Switching status	1 x LED, yellow
Accessories		
Items supplied		lock nuts: 2
Remarks		
Pack quantity		1 pcs.

Electrical connection	
Cable: 2 m, PVC; 3 x 0.34 mm ²	

Connection



	Core colors :
BN =	brown
BU =	blue
BK =	black