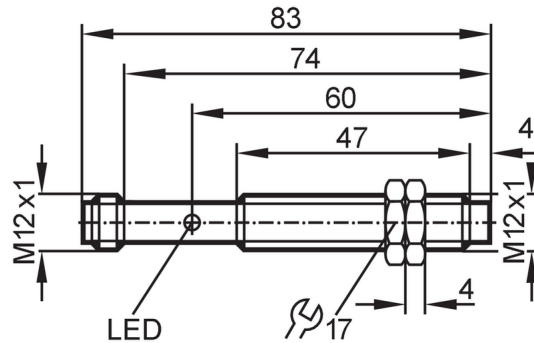


# IF5760



## Inductive sensor

IFA2004-FRKG/V4A/US-100-IRF RT



Product characteristics	
Electrical design	PNP/NPN
Output function	normally open / closed; (selectable)
Sensing range [mm]	4
Housing	Threaded type
Dimensions [mm]	M12 x 1 / L = 83
Application	
Special feature	gold-plated contacts
Application	Industrial applications
Electrical data	
Operating voltage [V]	10...55 DC
Protection class	II
Reverse polarity protection	yes
Outputs	
Electrical design	PNP/NPN
Output function	normally open / closed; (selectable)
Max. voltage drop switching output DC [V]	4.6
Minimum load current [mA]	4
Max. leakage current [mA]	0.5
Permanent current rating of switching output DC [mA]	300
Switching frequency DC [Hz]	1500
Short-circuit protection	yes
Type of short-circuit protection	yes (non-latching)
Overload protection	yes
Monitoring range	
Sensing range [mm]	4
Real sensing range $S_r$ [mm]	$4 \pm 10\%$
Operating distance [mm]	0...3.25
Accuracy / deviations	
Correction factor	steel: 1 / stainless steel: 0.7 / brass: 0.4 / aluminum: 0.3 / copper: 0.2

# IF5760



## Inductive sensor

IFA2004-FRKG/V4A/US-100-IRF RT

Hysteresis	[% of Sr]	1...15
Switch-point drift	[% of Sr]	-10...10

### Operating conditions

Ambient temperature	[°C]	-25...80
Protection		IP 67

### Tests / approvals

EMC	EN 60947-5-2	
	EN 55011	class B
MTTF	[years]	1815
UL approval	Ta	0...40 °C
	Enclosure type	Type 1
	File number UL	E174191

### Mechanical data

Weight	[g]	34.6
Housing		Threaded type
Mounting		non-flush mountable
Dimensions	[mm]	M12 x 1 / L = 83
Thread designation		M12 x 1
Material		stainless steel (1.4571/316Ti); sensing face: PBT

### Displays / operating elements

Display	Switching status	1 x LED, red
---------	------------------	--------------

### Accessories

Items supplied		lock nuts: 2
----------------	--	--------------

### Remarks

Pack quantity		1 pcs.
---------------	--	--------

### Electrical connection - plug

Connector: 1 x M12; coding: A; Contacts: gold-plated

