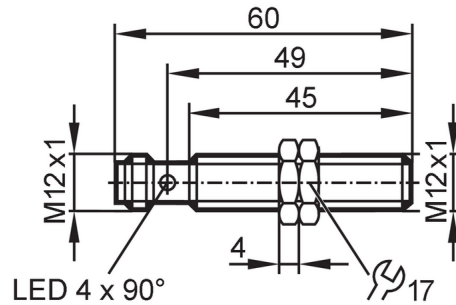


IF5711



Inductive sensor

IFK3002-BPKG/US-104



Product characteristics

Electrical design	PNP
Output function	normally open
Sensing range [mm]	2
Housing	Threaded type
Dimensions [mm]	M12 x 1 / L = 60

Application

Special feature	gold-plated contacts
-----------------	----------------------

Electrical data

Operating voltage [V]	10...30 DC
Current consumption [mA]	< 10
Protection class	II
Reverse polarity protection	yes

Outputs

Electrical design	PNP
Output function	normally open
Max. voltage drop switching output DC [V]	2.5
Permanent current rating of switching output DC [mA]	200
Switching frequency DC [Hz]	1100
Short-circuit protection	yes
Overload protection	yes

Monitoring range

Sensing range [mm]	2
Real sensing range S_r [mm]	$2 \pm 10\%$
Operating distance [mm]	0...1.62

Accuracy / deviations

Correction factor	steel: 1 / stainless steel: 0.7 / brass: 0.5 / aluminum: 0.4 / copper: 0.3
Hysteresis [% of S_r]	3...15
Switch-point drift [% of S_r]	-10...10

Operating conditions

Ambient temperature [°C]	-25...80
--------------------------	----------

IF5711



Inductive sensor

IFK3002-BPKG/US-104

Protection	IP 67
------------	-------

Tests / approvals

EMC	EN 60947-5-2	
	EN 55011	class B
MTTF [years]		1083
Embedded software included		no
UL approval	Ta	0...40 °C
	Enclosure type	Type 1
	voltage supply	Limited Voltage/Current
	UL approval number	A069
	File number UL	E174191

Mechanical data

Weight [g]	27.7
Housing	Threaded type
Mounting	flush mountable
Dimensions [mm]	M12 x 1 / L = 60
Thread designation	M12 x 1
Material	housing: brass white bronze coated; sensing face: LCP white; LED window: PEI; lock nuts: brass white bronze coated

Displays / operating elements

Display	Switching status	4 x LED, yellow
---------	------------------	-----------------

Accessories

Items supplied	lock nuts: 2
----------------	--------------

Remarks

Pack quantity	1 pcs.
---------------	--------

Electrical connection - plug

Connector: 1 x M12; coding: A; Contacts: 3, gold-plated



Connection

