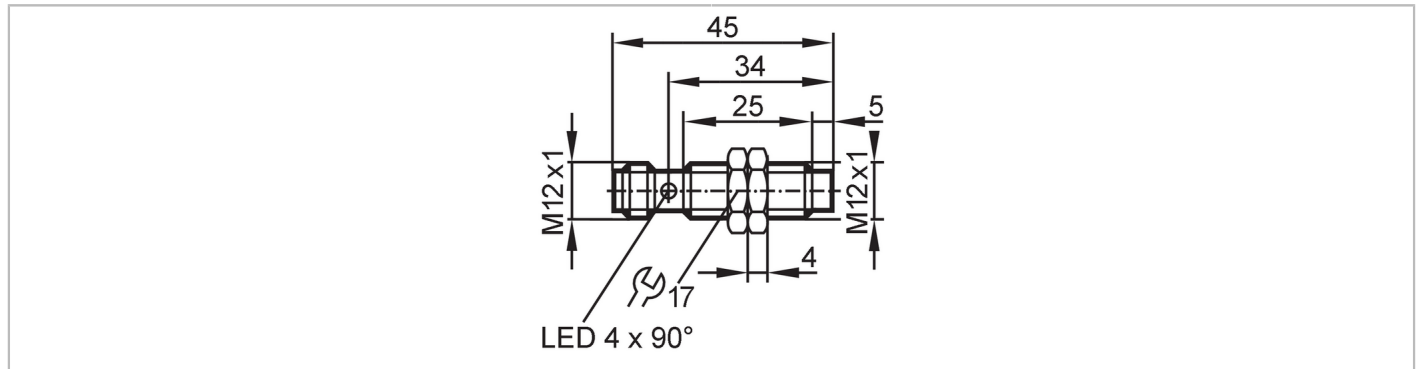


IF5545



Inductive sensor

IFB3004-APKG/US-104



| Product characteristics | | |
|---|-----------|--|
| Electrical design | | PNP |
| Output function | | normally closed |
| Sensing range | [mm] | 4 |
| Housing | | Threaded type |
| Dimensions | [mm] | M12 x 1 / L = 45 |
| Application | | |
| Special feature | | gold-plated contacts |
| Application | | Industrial applications |
| Electrical data | | |
| Operating voltage | [V] | 10...30 DC |
| Current consumption | [mA] | < 10 |
| Protection class | | III |
| Reverse polarity protection | | yes |
| Outputs | | |
| Electrical design | | PNP |
| Output function | | normally closed |
| Max. voltage drop switching output DC | [V] | 2.5 |
| Permanent current rating of switching output DC | [mA] | 100 |
| Switching frequency DC | [Hz] | 1500 |
| Short-circuit protection | | yes |
| Type of short-circuit protection | | yes (non-latching) |
| Overload protection | | yes |
| Monitoring range | | |
| Sensing range | [mm] | 4 |
| Real sensing range Sr | [mm] | 4 ± 10 % |
| Operating distance | [mm] | 0...3.24 |
| Accuracy / deviations | | |
| Correction factor | | steel: 1 / stainless steel: 0.7 / brass: 0.5 / aluminum: 0.4 / copper: 0.3 |
| Hysteresis | [% of Sr] | 1...20 |

IF5545



Inductive sensor

IFB3004-APKG/US-104

| | | |
|--------------------|-----------|----------|
| Switch-point drift | [% of Sr] | -10...10 |
|--------------------|-----------|----------|

Operating conditions

| | | |
|---------------------|------|----------|
| Ambient temperature | [°C] | -25...80 |
| Protection | | IP 67 |

Tests / approvals

| | | |
|-------------|---------------------------|-------------------------|
| EMC | EN 61000-4-2 ESD | 4 kV CD / 8 kV AD |
| | EN 61000-4-3 HF radiated | 10 V/m |
| | EN 61000-4-4 Burst | 2 kV |
| | EN 61000-4-6 HF conducted | 10 V |
| | EN 55011 | class B |
| MTTF | [years] | 1134 |
| UL approval | Ta | 0...40 °C |
| | Enclosure type | Type 1 |
| | voltage supply | Limited Voltage/Current |
| | UL approval number | A001 |
| | File number UL | E174191 |

Mechanical data

| | | |
|--------------------|------|--|
| Weight | [g] | 25.8 |
| Housing | | Threaded type |
| Mounting | | non-flush mountable |
| Dimensions | [mm] | M12 x 1 / L = 45 |
| Thread designation | | M12 x 1 |
| Material | | housing: brass white bronze coated; sensing face: PBT orange; LED window: PEI; lock nuts: brass white bronze coated |
| Tightening torque | [Nm] | 7 |

Displays / operating elements

| | | |
|---------|------------------|-----------------|
| Display | Switching status | 4 x LED, yellow |
|---------|------------------|-----------------|

Accessories

| | | |
|----------------|--|--------------|
| Items supplied | | lock nuts: 2 |
|----------------|--|--------------|

Remarks

| | | |
|---------------|--|--------|
| Pack quantity | | 1 pcs. |
|---------------|--|--------|

Electrical connection - plug

Connector: 1 x M12; coding: A; Contacts: gold-plated



IF5545



Inductive sensor

IFB3004-APKG/US-104

Connection

