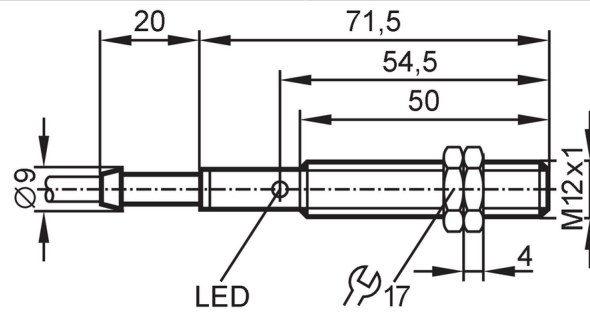


IF0303



Inductive sensor

IFA2002-ABOW



Product characteristics

Output function		normally open
Sensing range	[mm]	2
Housing		Threaded type
Dimensions	[mm]	M12 x 1 / L = 71.5

Electrical data

Frequency AC	[Hz]	45...65
Operating voltage	[V]	20...250 AC
Protection class		II
Reverse polarity protection		no

Outputs

Output function		normally open
Max. voltage drop switching output AC	[V]	8.5
Minimum load current	[mA]	8
Max. leakage current	[mA]	2
Permanent current rating of switching output AC	[mA]	200; (250 (...50 °C))
Short-time current rating of switching output	[mA]	900; (20 ms / 0,5 Hz)
Switching frequency AC	[Hz]	25
Short-circuit proof		no
Overload protection		no

Monitoring range

Sensing range	[mm]	2
Real sensing range Sr	[mm]	2 ± 10 %
Operating distance	[mm]	0...1.62

Accuracy / deviations

Correction factor		steel: 1 / stainless steel: 0.7 / brass: 0.4 / aluminum: 0.3 / copper: 0.2
Hysteresis	[% of Sr]	3...15
Switch-point drift	[% of Sr]	-10...10

Operating conditions

Ambient temperature	[°C]	-25...80
Protection		IP 67

IF0303



Inductive sensor

IFA2002-ABOW

Tests / approvals		
EMC	EN 61000-4-2 ESD	4 kV CD / 8 kV AD
	EN 61000-4-3 HF radiated	3 V/m
	EN 61000-4-4 Burst	2 kV
	EN 61000-4-6 HF conducted	3 V
	EN 55011	class B
MTTF	[years]	932

Mechanical data		
Weight	[g]	116.7
Housing		Threaded type
Mounting		flush mountable
Dimensions	[mm]	M12 x 1 / L = 71.5
Thread designation		M12 x 1
Material		housing: brass white bronze coated; sensing face: PBT natural; Nuts: brass white bronze coated; cable entry: TPE-E; LED window: PBT natural
Tightening torque	[Nm]	A = 4 mm: 3,5 Nm; B: 5 Nm

Displays / operating elements		
Display	Switching status	1 x LED, red

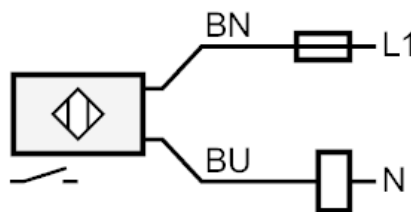
Electrical connection		
Required protection	miniature fuse to IEC60127-2 sheet 1; ≤ 2 A; fast acting	

Accessories		
Items supplied	lock nuts: 2	

Remarks		
Remarks	Recommendation: check the unit for reliable function after a short circuit.	
Pack quantity	1 pcs.	

Electrical connection		
Cable: 2 m, PVC; 2 x 0.5 mm ²		

Connection		
------------	--	--



Note miniature fuse to IEC60127-2 sheet 1 ≤ 2 A fast acting

Core colors :

BN = brown
BU = blue

IF0303

Inductive sensor

IFA2002-ABOW



Diagrams and graphs

Installation

