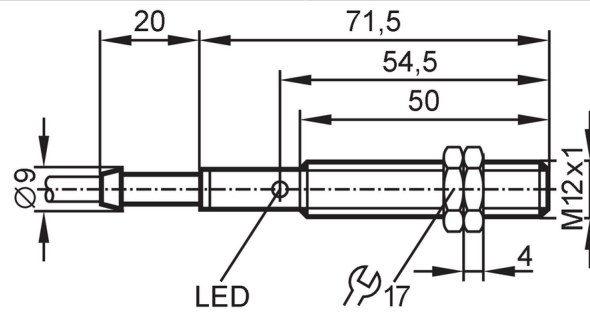


IF0295



Inductive sensor

IF-2002-ABOW



Product characteristics

| | | |
|-----------------|------|--------------------|
| Output function | | normally open |
| Sensing range | [mm] | 2 |
| Housing | | Threaded type |
| Dimensions | [mm] | M12 x 1 / L = 71.5 |

Electrical data

| | | |
|-----------------------------|------|-------------|
| Frequency AC | [Hz] | 47...63 |
| Operating voltage | [V] | 20...250 AC |
| Protection class | | II |
| Reverse polarity protection | | no |

Outputs

| | | |
|---|------|-----------------------|
| Output function | | normally open |
| Max. voltage drop switching output AC | [V] | 8.5 |
| Minimum load current | [mA] | 8 |
| Max. leakage current | [mA] | 2 |
| Permanent current rating of switching output AC | [mA] | 200; (250 (...50 °C)) |
| Short-time current rating of switching output | [mA] | 900; (20 ms / 0,5 Hz) |
| Switching frequency AC | [Hz] | 25 |
| Short-circuit proof | | no |
| Overload protection | | no |

Monitoring range

| | | |
|-----------------------|------|----------|
| Sensing range | [mm] | 2 |
| Real sensing range Sr | [mm] | 2 ± 10 % |
| Operating distance | [mm] | 0...1.6 |

Accuracy / deviations

| | | |
|--------------------|-----------|--|
| Correction factor | | steel: 1 / stainless steel: 0.7 / brass: 0.4 / aluminum: 0.3 / copper: 0.2 |
| Hysteresis | [% of Sr] | 1...15 |
| Switch-point drift | [% of Sr] | -10...10 |

Operating conditions

| | | |
|---------------------|------|----------|
| Ambient temperature | [°C] | -25...80 |
| Protection | | IP 67 |

IF0295



Inductive sensor

IF-2002-ABOW

| Tests / approvals | | |
|-------------------|--------------|---------|
| EMC | EN 60947-5-2 | |
| | EN 55011 | class B |
| MTTF | [years] | 932 |

| Mechanical data | |
|--------------------|-------------------------|
| Weight | [g] 101.3 |
| Housing | Threaded type |
| Mounting | flush mountable |
| Dimensions | [mm] M12 x 1 / L = 71.5 |
| Thread designation | M12 x 1 |
| Material | housing: PBT |

| Displays / operating elements | | |
|-------------------------------|------------------|--------------|
| Display | Switching status | 1 x LED, red |

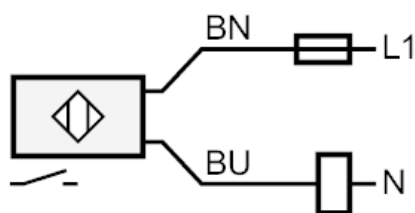
| Electrical connection | |
|-----------------------|---|
| Required protection | miniature fuse to IEC60127-2 sheet 1; ≤ 2 A; fast acting |

| Accessories | |
|----------------|--------------|
| Items supplied | lock nuts: 2 |

| Remarks | |
|---------------|---|
| Remarks | Recommendation: check the unit for reliable function after a short circuit. |
| Pack quantity | 1 pcs. |

| Electrical connection | |
|--|--|
| Cable: 2 m, PVC; 2 x 0.5 mm ² | |

Connection



Note miniature fuse to IEC60127-2 sheet 1 ≤ 2 A fast acting

Core colors :

BN = brown
BU = blue