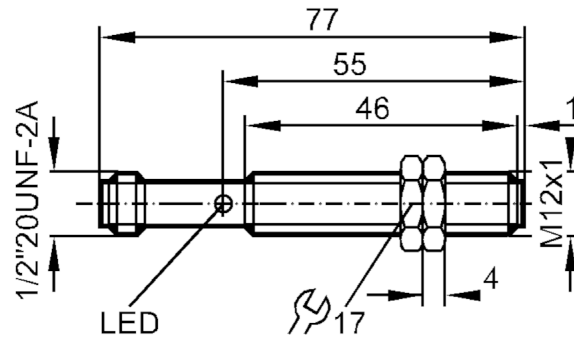


IF0279



Inductive sensor

IFA2002-ABOW/SL/LS-100AK RT



Product characteristics

| | | |
|-----------------|------|------------------|
| Output function | | normally open |
| Sensing range | [mm] | 2 |
| Housing | | Threaded type |
| Dimensions | [mm] | M12 x 1 / L = 77 |

Electrical data

| | | |
|-----------------------------|------|-------------|
| Frequency AC | [Hz] | 47...63 |
| Operating voltage | [V] | 20...250 AC |
| Protection class | | I |
| Reverse polarity protection | | no |

Outputs


| | | |
|---|------|-----------------------|
| Output function | | normally open |
| Max. voltage drop switching output AC | [V] | 8.5 |
| Minimum load current | [mA] | 8 |
| Max. leakage current | [mA] | 2 |
| Permanent current rating of switching output AC | [mA] | 200; (250 (...50 °C)) |
| Short-time current rating of switching output | [mA] | 900; (20 ms / 0,5 Hz) |
| Switching frequency AC | [Hz] | 25 |
| Short-circuit proof | | no |
| Overload protection | | no |

IF0279



Inductive sensor

IFA2002-ABOW/SL/LS-100AK RT

| Monitoring range | | |
|---|---------------------------|---|
| Sensing range | [mm] | 2 |
| Real sensing range Sr | [mm] | 2 ± 10 % |
| Operating distance | [mm] | 0...1.6 |
| Accuracy / deviations | | |
| Correction factor | | steel: 1 / stainless steel: 0.7 / brass: 0.4 / aluminum: 0.4 / copper: 0.3 |
| Hysteresis | [% of Sr] | 3...15 |
| Switch-point drift | [% of Sr] | -10...10 |
| Operating conditions | | |
| Ambient temperature | [°C] | -25...80 |
| Protection | | IP 67 |
| Tests / approvals | | |
| EMC | EN 61000-4-2 ESD | 6 kV CD / 8 AD |
| | EN 61000-4-3 HF radiated | 10 V/m |
| | EN 61000-4-4 Burst | 2 kV |
| | EN 61000-4-5 Surge | 0.5 kV line to line, Ri: 2 Ohm |
| | EN 61000-4-6 HF conducted | 3 V |
| | EN 55011 | class B |
| | EN 60947-5-2 | |
| MTTF | [years] | 932 |
| Mechanical data | | |
| Weight | [g] | 34 |
| Housing | | Threaded type |
| Mounting | | flush mountable |
| Dimensions | [mm] | M12 x 1 / L = 77 |
| Thread designation | | M12 x 1 |
| Material | | housing: brass white bronze coated; sensing face: PBT white; LED window: PA |
| Displays / operating elements | | |
| Display | Switching status | 1 x LED, red |
| Electrical connection | | |
| Required protection | | miniature fuse to IEC60127-2 sheet 1; ≤ 2 A; fast acting |
| Accessories | | |
| Items supplied | | lock nuts: 2 |
| Remarks | | |
| Remarks | | Recommendation: check the unit for reliable function after a short circuit. |
| Pack quantity | | 1 pcs. |
| Electrical connection - plug | | |
| Connector: 1 x 1/2"; coding: C | | |
|  | | |

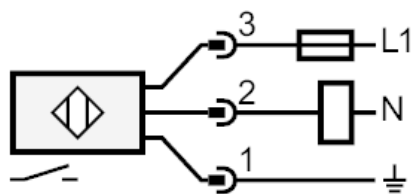
IF0279



Inductive sensor

IFA2002-ABOW/SL/LS-100AK RT

Connection



Note miniature fuse to IEC60127-2 sheet 1 ≤ 2 A fast acting