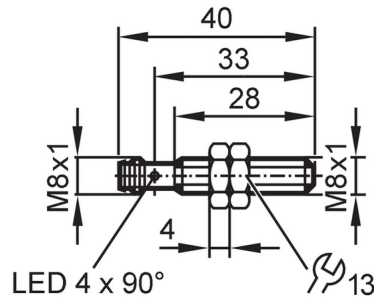


# IEW200



## Inductive sensor

IEB3003BBPKG/V4A/SC/K1/AS



### Product characteristics

Electrical design	PNP
Output function	normally open
Sensing range [mm]	3
Housing	Threaded type
Dimensions [mm]	M8 x 1 / L = 40

### Application

Special feature	Increased sensing range; Magnetic-field immune
Application	Inductive sensors for welding applications
Magnetic-field immune	yes
Max. electromagnetic field immunity [mT]	300

### Electrical data

Operating voltage [V]	10...30 DC
Current consumption [mA]	< 20
Protection class	III
Reverse polarity protection	yes

### Outputs

Electrical design	PNP
Output function	normally open
Max. voltage drop switching output DC [V]	2.5
Permanent current rating of switching output DC [mA]	100
Switching frequency DC [Hz]	2000
Short-circuit protection	yes
Overload protection	yes

### Monitoring range

Sensing range [mm]	3
Real sensing range $S_r$ [mm]	$3 \pm 10\%$
Operating distance [mm]	0...2.43
Increased sensing range	yes

### Accuracy / deviations

Correction factor	steel: 1 / stainless steel: 1 / brass: 1 / aluminum: 1 / copper: 1
-------------------	--

# IEW200



## Inductive sensor

IEB3003BBPKG/V4A/SC/K1/AS

Hysteresis	[% of Sr]	3...15
Switch-point drift	[% of Sr]	-10...10

### Operating conditions

Ambient temperature	[°C]	-40...85
Protection		IP 65; IP 66; IP 67; IP 68; IP 69K; (with ifm socket duly screwed on)

### Tests / approvals

EMC	EN 61000-4-2 ESD	4 kV CD / 8 kV AD
	EN 61000-4-3 HF radiated	10 V/m
	EN 61000-4-4 Burst	2 kV
	EN 61000-4-6 HF conducted	10 V
	EN 55011	class B
Vibration resistance	EN 60068-2-6 Fc	20 g (10...3000 Hz) / 50 sweep cycles per frequency; 1 octave per minute in 3 axes
Shock resistance	EN 60068-2-27 Ea	100 g 11 ms half-sine; 3 shocks each in every direction of the 3 coordinate axes
Continuous shock resistance	EN 60068-2-27	40 g 6 ms; 4000 shocks each in every direction of the 3 coordinate axes
Fast temperature changes	EN 60068-2-14 Na	TA = -40 °C; TB = 85 °C; t1 = 30 min; t2 = < 10 s; 50 cycles
Salt spray test	EN 60068-2-52 Kb	severity level 5 (4 test cycles)
MTTF	[years]	544
Embedded software included		yes
UL approval	Ta	-25...80 °C
	Enclosure type	Type 1
	voltage supply	Limited Voltage/Current
	UL approval number	A011
	File number UL	E174191

### Mechanical data

Weight	[g]	18
Housing		Threaded type
Mounting		flush mountable
Dimensions	[mm]	M8 x 1 / L = 40
Thread designation		M8 x 1
Material		stainless steel (1.4404 / 316L) weld coated; sensing face: LCP black; LED window: PEI; lock nuts: brass weld coated
Tightening torque	[Nm]	A = 6 mm: 2 Nm; B: 5 Nm

### Displays / operating elements

Display	Switching status	4 x 90° LED, yellow
---------	------------------	---------------------

### Accessories

Items supplied		lock nuts: 2
----------------	--	--------------

### Remarks

Pack quantity		1 pcs.
---------------	--	--------

# IEW200



## Inductive sensor

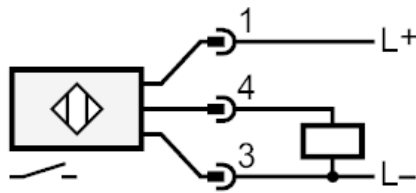
IEB3003BBPKG/V4A/SC/K1/IAS

### Electrical connection - plug

Connector: 1 x M8; coding: A



### Connection



### Diagrams and graphs

#### Installation

