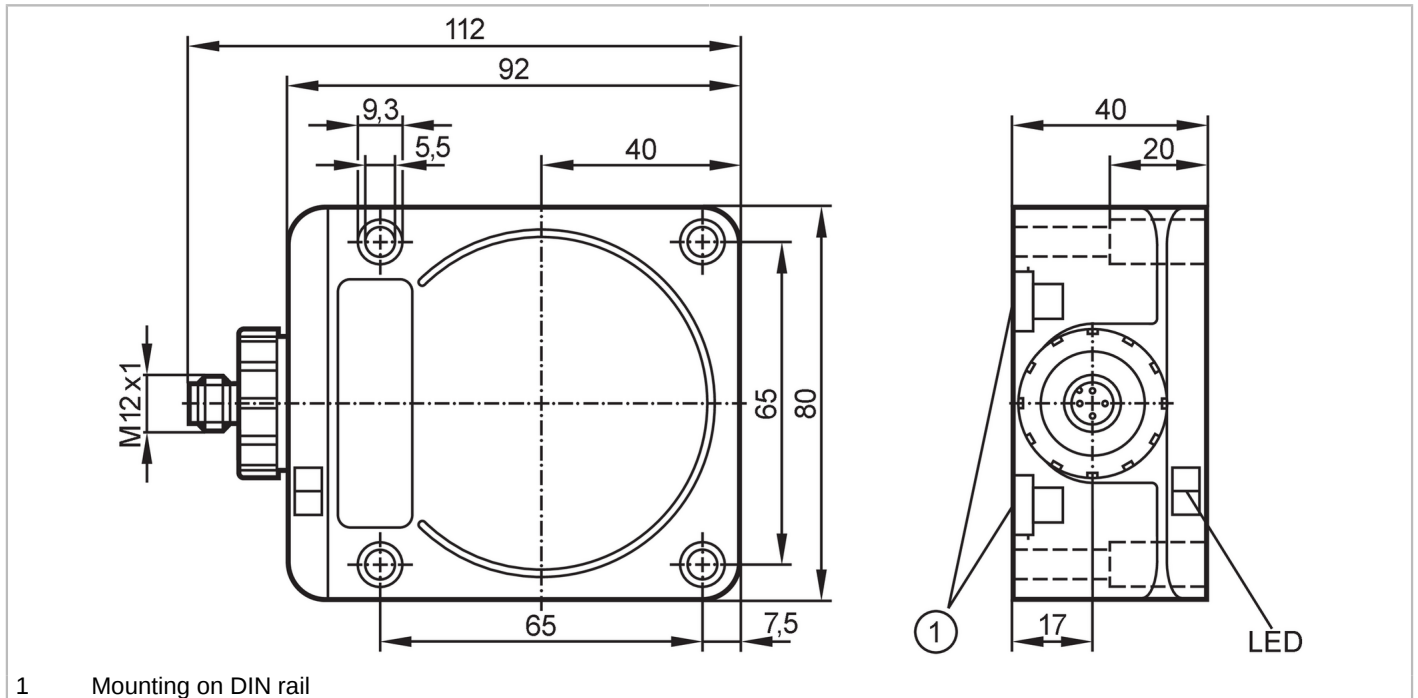


# ID5059



## Inductive sensor

IDC4050UCPKG/SC/2LED/US-100DPA



Product characteristics	
Electrical design	PNP
Output function	complementary
Sensing range [mm]	50
Housing	rectangular
Dimensions [mm]	92 x 80 x 40
Electrical data	
Operating voltage [V]	10...36 DC
Current consumption [mA]	20; (24 V)
Protection class	II
Reverse polarity protection	yes
Outputs	
Electrical design	PNP
Output function	complementary
Max. voltage drop switching output DC [V]	2.5
Permanent current rating of switching output DC [mA]	250
Switching frequency DC [Hz]	70
Short-circuit protection	yes
Type of short-circuit protection	yes (non-latching)
Overload protection	yes
Monitoring range	
Sensing range [mm]	50

# ID5059



## Inductive sensor

IDC4050UCPKG/SC/2LED/US-100DPA

Operating distance [mm] 0...40.5; (mounted flush with mild steel (ST37))

### Accuracy / deviations

Correction factor	steel: 1 / stainless steel: 0.85 / brass: 0.48 / aluminum: 0.46 / copper: 0.38
Hysteresis [% of Sr]	3...20
Switch-point drift [% of Sr]	-15...15

### Operating conditions

Ambient temperature [°C]	-25...70
Protection	IP 67

### Tests / approvals

EMC	EN 60947-5-2	
MTTF [years]	1162	
UL approval	Ta	-25...70 °C
	Enclosure type	Type 1
	voltage supply	Class 2
	File number UL	E174191

### Mechanical data

Weight [g]	422.5
Housing	rectangular
Mounting	flush mountable
Type of mounting	Mounting on DIN rail; (TH35 (EN 60715))
Dimensions [mm]	92 x 80 x 40
Material	PPE weld coated; brass white bronze coated; diecast zinc

### Displays / operating elements

Display	Switching status	1 x LED, yellow
	Power	1 x LED, green

### Accessories

Items supplied	sealing plug: 1
----------------	-----------------

### Remarks

Pack quantity	1 pcs.
---------------	--------

### Electrical connection - plug

Connector: 1 x M12; coding: A



# ID5059



## Inductive sensor

IDC4050UCPKG/SC/2LED/US-100DPA

### Connection

