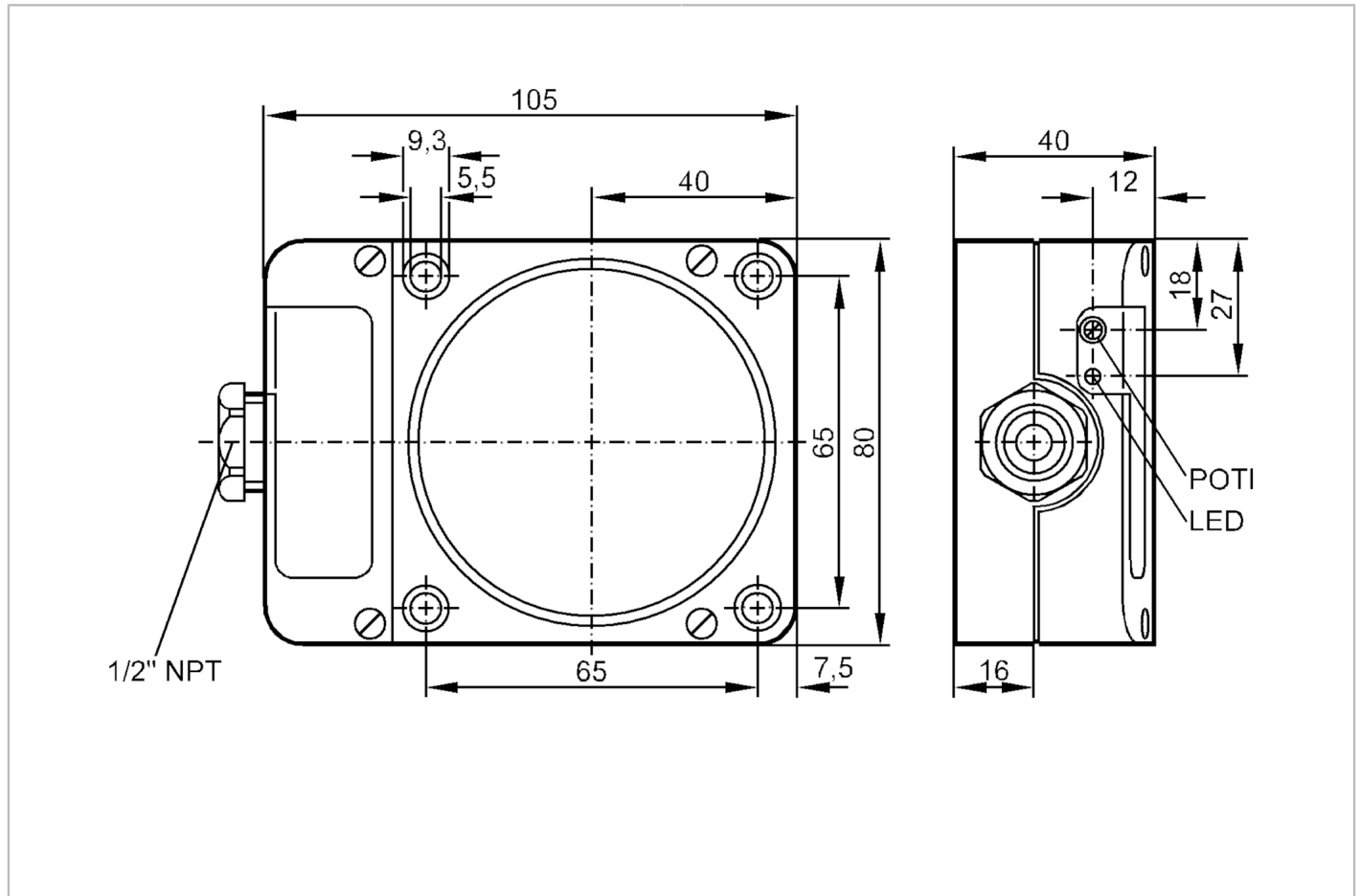


ID0036



Inductive sensor

IDE2060-FBOA/NPT/RT



Product characteristics	
Output function	normally open / closed; (selectable)
Sensing range [mm]	60
Housing	rectangular
Dimensions [mm]	105 x 80 x 40
Application	
Application	Industrial applications
Electrical data	
Operating voltage [V]	20...250 AC/DC
Protection class	II
Reverse polarity protection	no
Outputs	
Output function	normally open / closed; (selectable)
Max. voltage drop switching output DC [V]	6.5
Max. voltage drop switching output AC [V]	6.5
Minimum load current [mA]	5
Max. leakage current [mA]	2.5 (250 V AC) / 1.3 (110 V AC) / 1 (24 V DC)

ID0036



Inductive sensor

IDE2060-FBOA/NPT/RT

Permanent current rating of switching output AC	[mA]	250; (350 (...50 °C))
Permanent current rating of switching output DC	[mA]	100
Short-time current rating of switching output	[mA]	2200; (20 ms / 0,5 Hz)
Switching frequency AC	[Hz]	4
Switching frequency DC	[Hz]	4
Short-circuit proof		no
Overload protection		no

Monitoring range

Sensing range	[mm]	60
Sensing range adjustable		yes
Factory setting sensing range	[mm]	60
Real sensing range Sr	[mm]	60 ± 10 %
Operating distance	[mm]	0...48.6

Accuracy / deviations

Correction factor		steel: 1 / stainless steel: 0.7 / brass: 0.4 / aluminum: 0.3 / copper: 0.2
Hysteresis	[% of Sr]	1...15
Switch-point drift	[% of Sr]	-10...10

Operating conditions

Ambient temperature	[°C]	-25...80
Protection		IP 65

Tests / approvals

EMC	EN 60947-5-2	
	EN 55011	class B
MTTF	[years]	460
UL approval	Ta	0...40 °C
	Enclosure type	Type 1
	File number UL	E174191

Mechanical data

Weight	[g]	450.5
Housing		rectangular
Mounting		non-flush mountable
Dimensions	[mm]	105 x 80 x 40
Material		PPE

Displays / operating elements

Display	Switching status	1 x LED, red
---------	------------------	--------------

Electrical connection

Required protection		miniature fuse to IEC60127-2 sheet 1; ≤ 2 A; fast acting
---------------------	--	--

Accessories

Items supplied		screwdriver: 1
----------------	--	----------------

Remarks

Remarks		Recommendation: check the unit for reliable function after a short circuit.
Pack quantity		1 pcs.

ID0036



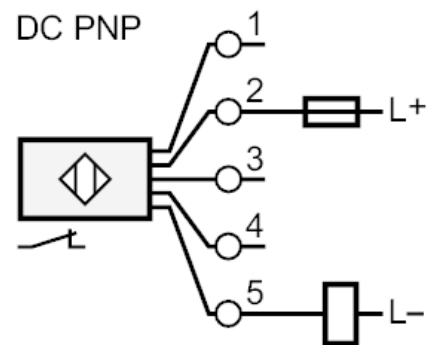
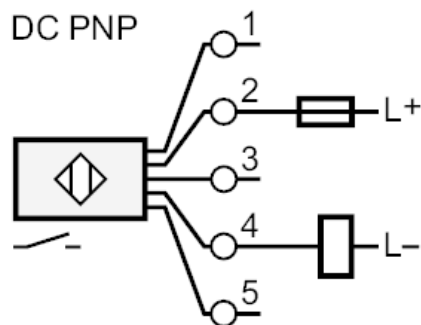
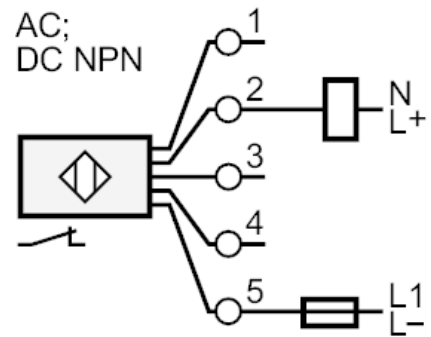
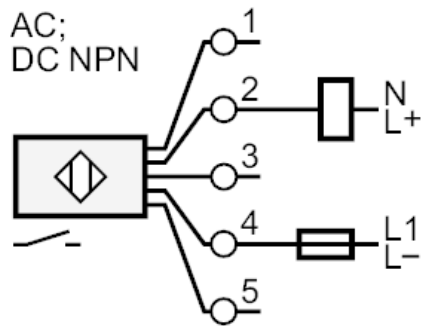
Inductive sensor

IDE2060-FBOA/NPT/RT

Electrical connection

terminals: ...2.5 mm²; Cable sheath: Ø 7...13 mm

Connection



Note miniature fuse to IEC60127-2 sheet 1 ≤ 2 A fast acting