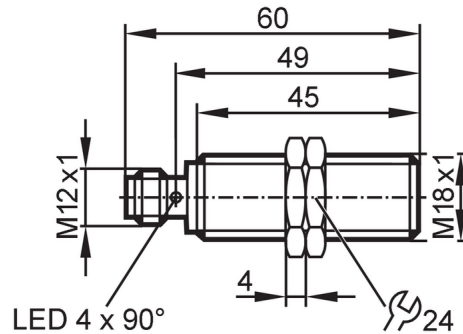


IGT260



Inductive full-metal sensor

IGK3007BFRKG/AM/IO/US-104



Product characteristics

Electrical design	PNP/NPN; (configurable)
Output function	normally open / closed; (configurable)
Communication interface	IO-Link
Housing	Threaded type
Dimensions [mm]	M18 x 1 / L = 60

Application

Special feature	Full-metal housing
Application	Use in hygienic areas / regular cleaning processes
Pressure rating	100 bar / 10 MPa
Note on pressure rating	sensing face

Electrical data

Operating voltage [V]	10...30 DC
Current consumption [mA]	< 15
Protection class	III
Reverse polarity protection	yes

Outputs

Electrical design	PNP/NPN; (configurable)
Output function	normally open / closed; (configurable)
Max. voltage drop switching output DC [V]	2.5
Permanent current rating of switching output DC [mA]	100
Switching frequency DC [Hz]	100
Short-circuit protection	yes
Overload protection	yes

Monitoring range

Switch point IO-Link [mm]	1.41...7.01; (configurable)
Measuring range IO-Link [mm]	0.75...7.5

Accuracy / deviations

Correction factor	steel: 1 / stainless steel: 0.8 / brass: 0.5 / aluminum: 0.4 / copper: 0.2
Hysteresis [% of Sr]	3...15
Linearity error IO-Link [%]	± 2; (of the final value of the measuring range)

IGT260



Inductive full-metal sensor

IGK3007BFRKG/AM/IO/US-104

Repeatability IO-Link	[%]	± 1; (of the final value of the measuring range)
Temperature coefficient		± 0,2 %/K; (of the final value of the measuring range)

Interfaces

Communication interface	IO-Link	
Transmission type	COM2 (38,4 kBaud)	
IO-Link revision	1.1	
SDCI standard	IEC 61131-9	
Profiles	Smart Sensor - SSP 0	Generic Profiled Sensor
	Function	Multiple switching signal
	Function	Teach channel
	Common - I&D	Identification and Diagnosis
SIO mode	yes	
Required master port class	A	
Min. process cycle time	[ms]	3.2
Supported DeviceIDs	Type of operation	DeviceID
	default	1090

Operating conditions

Ambient temperature	[°C]	0...100
Protection		IP 65; IP 66; IP 67; IP 68; IP 69K

Tests / approvals

EMC	EN 61000-4-2 ESD	4 kV CD / 8 kV AD
	EN 61000-4-3 HF radiated	10 V/m
	EN 61000-4-4 Burst	2 kV
	EN 61000-4-6 HF conducted	10 V
	EN 55011	class B
Impact resistance		1 J
Vibration resistance	EN 60068-2-6 Fc	20 g (10...3000 Hz) / 50 sweep cycles per frequency; 1 octave per minute in 3 axes
Shock resistance	EN 60068-2-27 Ea	100 g 11 ms half-sine; 3 shocks each in every direction of the 3 coordinate axes
Continuous shock resistance	EN 60068-2-27	40 g 6 ms; 4000 shocks each in every direction of the 3 coordinate axes
Fast temperature changes	EN 60068-2-14 Nc	TA = 0°C; TB = 100°C; t1 = 30 min; t2 = < 10 s 50 cycles
Salt spray test	EN 60068-2-52 Kb	severity level 5 (4 test cycles)
MTTF	[years]	635
Embedded software included		yes
UL approval	Ta	-25...70 °C
	Enclosure type	Type 1
	voltage supply	Limited Voltage/Current
	UL approval number	A008
	File number UL	E174191

Mechanical data

Weight	[g]	51.1
Housing		Threaded type
Mounting		flush mountable
Dimensions	[mm]	M18 x 1 / L = 60

IGT260



Inductive full-metal sensor

IGK3007BFRKG/AM/IO/US-104

Thread designation	M18 x 1
Material	housing: stainless steel (1.4404 / 316L); sensing face: stainless steel (1.4404 / 316L); LED window: PEI; lock nuts: stainless steel (1.4404 / 316L)
Tightening torque [Nm]	50
Full-metal housing	yes

Displays / operating elements

Display	Switching status	4 x LED, yellow
---------	------------------	-----------------

Accessories

Items supplied	lock nuts: 2
----------------	--------------

Remarks

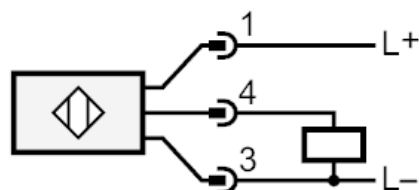
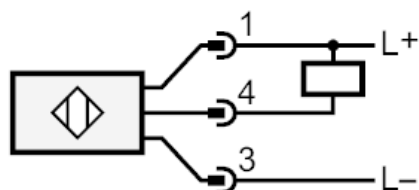
Pack quantity	1 pcs.
---------------	--------

Electrical connection

Connector: 1 x M12; coding: A; Contacts: 3



Connection



4 OUT / IO-Link