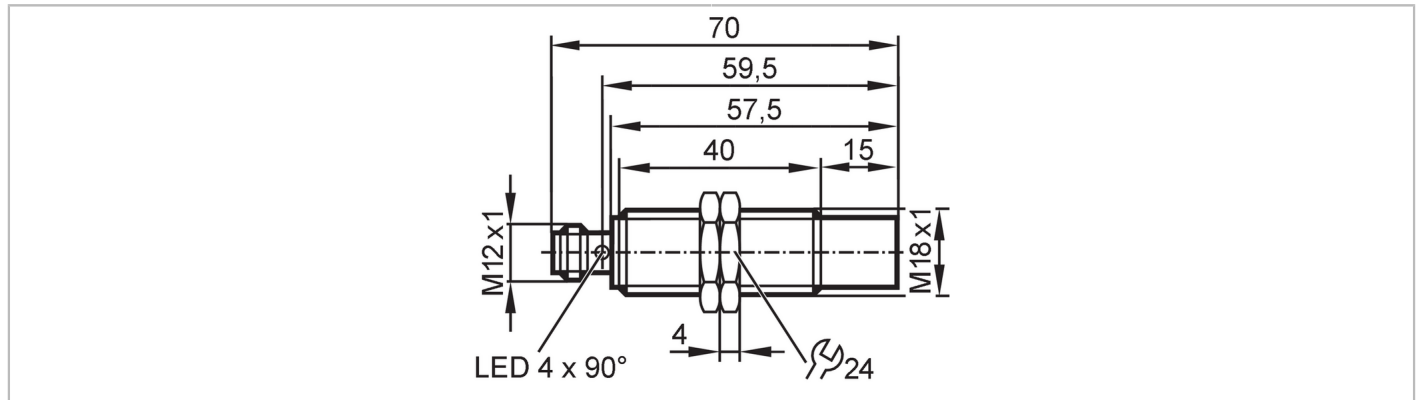


# IGT250



## Inductive full-metal sensor

IGK3012-ANKG/AM/P/US-104




Product characteristics		
Electrical design		NPN
Output function		normally open
Sensing range	[mm]	12
Housing		Threaded type
Dimensions	[mm]	M18 x 1 / L = 70
Application		
Special feature		gold-plated contacts; Increased sensing range; Full-metal housing
Application		Use in hygienic areas / regular cleaning processes
Pressure rating	100 bar	10 MPa
Note on pressure rating		sensing face
Electrical data		
Operating voltage	[V]	10...30 DC
Current consumption	[mA]	< 25
Protection class		III
Reverse polarity protection		yes
Outputs		
Electrical design		NPN
Output function		normally open
Max. voltage drop switching output DC	[V]	2.5
Permanent current rating of switching output DC	[mA]	100
Switching frequency DC	[Hz]	250
Short-circuit protection		yes
Type of short-circuit protection		yes (non-latching)
Overload protection		yes
Monitoring range		
Sensing range	[mm]	12
Real sensing range Sr	[mm]	12 ± 10 %
Operating distance	[mm]	0...9.7

# IGT250



## Inductive full-metal sensor

IGK3012-ANKG/AM/P/US-104

Increased sensing range		yes
<b>Accuracy / deviations</b>		
Correction factor		steel: 1 / stainless steel: 1 / brass: 0.9 / aluminum: 0.8 / copper: 0.5
Hysteresis	[% of Sr]	1...20
Switch-point drift	[% of Sr]	-10...10
<b>Operating conditions</b>		
Ambient temperature	[°C]	0...100
Protection		IP 65; IP 67; IP 68; IP 69K
<b>Tests / approvals</b>		
EMC	EN 61000-4-2 ESD	4 kV CD / 8 kV AD
	EN 61000-4-3 HF radiated	10 V/m
	EN 61000-4-4 Burst	2 kV
	EN 61000-4-6 HF conducted	10 V
	EN 55011 emission	class B
Impact resistance	EN 60068-2-75 Ehc	1 J
MTTF	[years]	1262
Embedded software included		yes
UL approval	Ta	0...70 °C
	Enclosure type	Type 1
	voltage supply	Limited Voltage/Current
	UL approval number	A012
	File number UL	E174191
<b>Mechanical data</b>		
Weight	[g]	56
Housing		Threaded type
Mounting		non-flush mountable
Dimensions	[mm]	M18 x 1 / L = 70
Thread designation		M18 x 1
Material		housing: stainless steel (1.4404 / 316L); sensing face: stainless steel (1.4404 / 316L); lock nuts: stainless steel (1.4404 / 316L)
Tightening torque	[Nm]	50
Full-metal housing		yes
<b>Displays / operating elements</b>		
Display	Switching status	4 x 90° LED, yellow
<b>Accessories</b>		
Items supplied		lock nuts: 2
<b>Remarks</b>		
Pack quantity		1 pcs.
<b>Electrical connection - plug</b>		
Connector: 1 x M12; coding: A; Contacts: gold-plated		
		

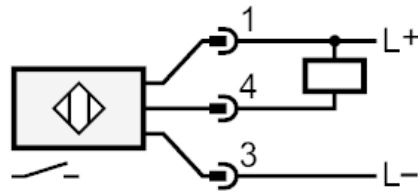
# IGT250



## Inductive full-metal sensor

IGK3012-ANKG/AM/P/US-104

### Connection



### Diagrams and graphs

