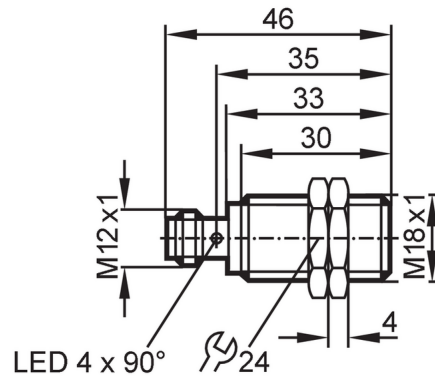




Inductive sensor

IGB2008BARKG/M/US-104-DRS



Product characteristics

Electrical design		PNP/NPN
Output function		normally open
Sensing range	[mm]	8
Housing		Threaded type
Dimensions	[mm]	M18 x 1 / L = 46

Application

Special feature		gold-plated contacts; Increased sensing range
Application		Industrial applications

Electrical data

Operating voltage	[V]	10...30 DC
Protection class		II
Reverse polarity protection		yes

Outputs

Electrical design		PNP/NPN
Output function		normally open
Max. voltage drop switching output DC	[V]	2.5
Minimum load current	[mA]	2
Max. leakage current	[mA]	0.5
Permanent current rating of switching output DC	[mA]	100
Switching frequency DC	[Hz]	300
Short-circuit protection		yes
Type of short-circuit protection		yes (non-latching)
Overload protection		yes

Monitoring range

Sensing range	[mm]	8
Real sensing range Sr	[mm]	8 ± 10 %
Operating distance	[mm]	0...6.5
Increased sensing range		yes

IGS200



Inductive sensor

IGB2008BARKG/M/US-104-DRS

Accuracy / deviations		
Correction factor	steel: 1 / stainless steel: 0.7 / brass: 0.5 / aluminum: 0.4 / copper: 0.3	
Hysteresis [% of Sr]	3...15	
Switch-point drift [% of Sr]	-10...10	
Operating conditions		
Ambient temperature [°C]	-25...70	
Protection	IP 67	
Tests / approvals		
EMC	EN 61000-4-2 ESD	4 kV CD / 8 kV AD
	EN 61000-4-3 HF radiated	10 V/m
	EN 61000-4-4 Burst	2 kV
	EN 61000-4-6 HF conducted	10 V
	EN 55011	class B
MTTF [years]	2655	
UL approval	Ta	0...40 °C
	Enclosure type	Type 1
	File number UL	E174191
Mechanical data		
Weight [g]	43.4	
Housing	Threaded type	
Mounting	flush mountable	
Dimensions [mm]	M18 x 1 / L = 46	
Thread designation	M18 x 1	
Material	housing: brass white bronze coated; sensing face: PBT	
Displays / operating elements		
Display	Switching status	4 x 90° LED, yellow
Accessories		
Items supplied	lock nuts: 2	
Remarks		
Remarks	For direct replacement of 3-wire PNP sensors In this case pin 3 (grey in the wiring diagram) is not used.	
Pack quantity	1 pcs.	
Electrical connection - plug		
Connector: 1 x M12; coding: A; Contacts: gold-plated		

IGS200



Inductive sensor

IGB2008BARKG/M/US-104-DRS

Connection

