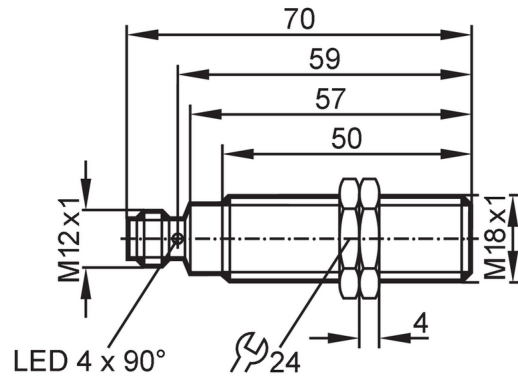


IGC249



Inductive full-metal sensor

IGK34,5-BPKG/AM/US-104/K0



Product characteristics

Electrical design		PNP
Output function		normally open
Sensing range	[mm]	4.5
Housing		Threaded type
Dimensions	[mm]	M18 x 1 / L = 70

Application

Special feature	gold-plated contacts; Full-metal housing; correction factor = 0	
Application	Oils and coolants; Ferrous only; aluminum chip immune	
Pressure rating	100 bar	10 MPa
Note on pressure rating	sensing face	

Electrical data

Operating voltage	[V]	10...30 DC
Current consumption	[mA]	< 20
Protection class		III
Reverse polarity protection		yes

Outputs

Electrical design		PNP
Output function		normally open
Max. voltage drop switching output DC	[V]	2.5
Permanent current rating of switching output DC	[mA]	100
Switching frequency DC	[Hz]	100
Short-circuit protection		yes
Type of short-circuit protection		yes (non-latching)
Overload protection		yes

Monitoring range


Sensing range	[mm]	4.5
Operating distance	[mm]	0...3.64

IGC249



Inductive full-metal sensor

IGK34,5-BPKG/AM/US-104/K0

Accuracy / deviations		
Correction factor		steel: 1 / stainless steel: 0.5
Hysteresis [% of Sr]		1...20
Correction factor = 0		yes
Operating conditions		
Ambient temperature [°C]		-25...70
Protection		IP 68; ("Coolant")
Tests / approvals		
EMC	EN 61000-4-2 ESD	4 kV CD / 8 kV AD
	EN 61000-4-3 HF radiated	10 V/m
	EN 61000-4-4 Burst	2 kV
	EN 61000-4-6 HF conducted	10 V
	EN 55011	class B
Impact resistance	EN 60068-2-27 Ehc	1 J
MTTF [years]		1258
Embedded software included		yes
UL approval	Ta	25...70 °C
	Enclosure type	Type 1
	voltage supply	Limited Voltage/Current
	UL approval number	A012
	File number UL	E174191
Mechanical data		
Weight [g]		55.3
Housing		Threaded type
Mounting		flush mountable
Dimensions [mm]		M18 x 1 / L = 70
Thread designation		M18 x 1
Material		housing: stainless steel (1.4404 / 316L); sensing face: stainless steel (1.4404 / 316L); LED window: PEI; lock nuts: stainless steel (1.4404 / 316L)
Tightening torque [Nm]		50
Full-metal housing		yes
Displays / operating elements		
Display	Switching status	4 x 90° LED, yellow
Accessories		
Items supplied		lock nuts: 2
Remarks		
Pack quantity		1 pcs.
Electrical connection - plug		
Connector: 1 x M12; coding: A; Contacts: 3, gold-plated		
		

IGC249



Inductive full-metal sensor

IGK34,5-BPKG/AM/US-104/K0

Connection

