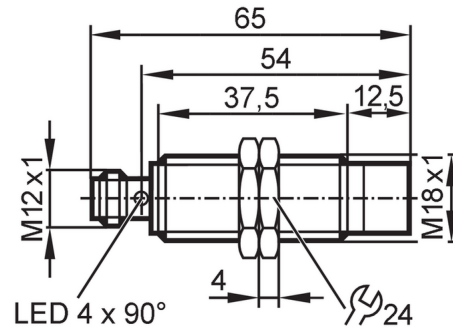


IGC233



Inductive sensor

IGK3012-BPKG/K1/V4A/US-104



Product characteristics

Electrical design		PNP
Output function		normally open
Sensing range	[mm]	12
Housing		Threaded type
Dimensions	[mm]	M18 x 1 / L = 65

Application

Special feature		gold-plated contacts; correction factor = 1; Magnetic-field immune
Application		Oils and coolants
Magnetic-field immune		yes

Electrical data

Operating voltage	[V]	10...30 DC
Current consumption	[mA]	20
Protection class		II
Reverse polarity protection		yes

Outputs

Electrical design		PNP
Output function		normally open
Max. voltage drop switching output DC	[V]	2.5
Permanent current rating of switching output DC	[mA]	100
Switching frequency DC	[Hz]	2000
Short-circuit protection		yes
Overload protection		yes

Monitoring range

Sensing range	[mm]	12
Real sensing range Sr	[mm]	12 ± 10 %
Operating distance	[mm]	0...9.72

Accuracy / deviations

Correction factor		steel: 1 / stainless steel: 1 / brass: 1 / aluminum: 1 / copper: 1
Hysteresis	[% of Sr]	3...15
Switch-point drift	[% of Sr]	-10...10

IGC233



Inductive sensor

IGK3012-BPKG/K1/V4A/US-104

Correction factor = 1	yes
-----------------------	-----

Operating conditions

Ambient temperature [°C]	-25...70
Protection	IP 68; ("Coolant")

Tests / approvals

EMC	EN 61000-4-2 ESD	4 kV CD / 8 kV AD
	EN 61000-4-3 HF radiated	10 V/m
	EN 61000-4-4 Burst	2 kV
	EN 61000-4-6 HF conducted	10 V
	EN 55011 emission	class B
MTTF [years]	657	
Embedded software included	yes	
UL approval	Ta	-25...70 °C
	Enclosure type	Type 1
	voltage supply	Limited Voltage/Current
	UL approval number	A005
	File number UL	E174191

Mechanical data

Weight [g]	43
Housing	Threaded type
Mounting	non-flush mountable
Dimensions [mm]	M18 x 1 / L = 65
Thread designation	M18 x 1
Material	housing: stainless steel (1.4404 / 316L); sensing face: LCP white; LED window: PEI; lock nuts: brass white bronze coated

Displays / operating elements

Display	Switching status	4 x 90° LED, yellow
---------	------------------	---------------------

Accessories

Items supplied	lock nuts: 2
----------------	--------------

Remarks

Pack quantity	1 pcs.
---------------	--------

Electrical connection - plug

Connector: 1 x M12; coding: A; Contacts: gold-plated



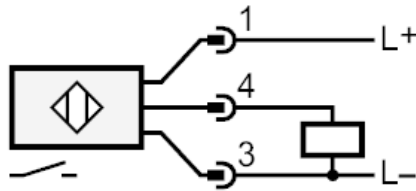
IGC233



Inductive sensor

IGK3012-BPKG/K1/V4A/US-104

Connection



Diagrams and graphs

Installation

