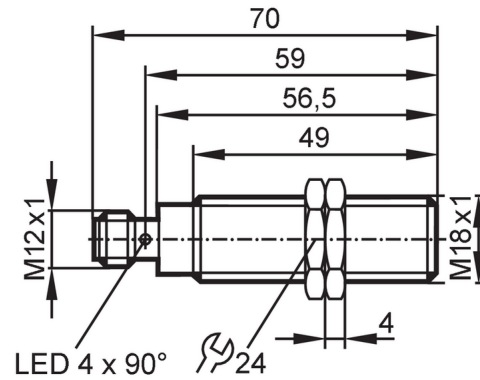


IGC210



Inductive sensor

IGKC008BASKG/M/US-104-DRS/2LED



Product characteristics		
Electrical design		PNP/NPN
Output function		normally open
Sensing range	[mm]	8
Housing		Threaded type
Dimensions	[mm]	M18 x 1 / L = 70
Application		
Special feature		gold-plated contacts; Increased sensing range; optical setting aid
Application		Industrial applications; Oils and coolants
Electrical data		
Operating voltage	[V]	10...30 DC
Current consumption	[mA]	12; (24 V)
Protection class		II
Reverse polarity protection		yes
Outputs		
Electrical design		PNP/NPN
Output function		normally open
Max. voltage drop switching output DC	[V]	2.8
Minimum load current	[mA]	4
Max. leakage current	[mA]	0.5; (only in 2-wire operation)
Permanent current rating of switching output DC	[mA]	100
Switching frequency DC	[Hz]	400
Short-circuit protection		yes
Type of short-circuit protection		yes (non-latching)
Overload protection		yes
Monitoring range		
Sensing range	[mm]	8
Real sensing range S_r	[mm]	$8 \pm 10\%$
Operating distance	[mm]	0...6.5

IGC210



Inductive sensor

IGKC008BASKG/M/US-104-DRS/2LED

Increased sensing range		yes
Accuracy / deviations		
Correction factor		steel: 1 / stainless steel: 0.7 / brass: 0.5 / aluminum: 0.4 / copper: 0.3
Hysteresis	[% of Sr]	3...15
Switch-point drift	[% of Sr]	-10...10
Operating conditions		
Ambient temperature	[°C]	-25...70
Protection		IP 68; ("Coolant")
Tests / approvals		
EMC	EN 61000-4-2 ESD	4 kV CD / 8 kV AD
	EN 61000-4-3 HF radiated	10 V/m
	EN 61000-4-4 Burst	2 kV
	EN 61000-4-6 HF conducted	10 V
	EN 55011	class B
MTTF	[years]	1364
UL approval	Ta	0...40 °C
	Enclosure type	Type 1
	File number UL	E174191
Mechanical data		
Weight	[g]	75.4
Housing		Threaded type
Mounting		flush mountable
Dimensions	[mm]	M18 x 1 / L = 70
Thread designation		M18 x 1
Material		housing: brass white bronze coated; sensing face: ceramics
Displays / operating elements		
Display	Switching status	4 x 90° LED, yellow
	Setting aid	1 x LED, red
Optical setting aid		yes
Accessories		
Items supplied		lock nuts: 2
Remarks		
Remarks		suitable for PLC type 1 according to IEC 61131-2
Pack quantity		1 pcs.

IGC210



Inductive sensor

IGKC008BASKG/M/US-104-DRS/2LED

Electrical connection - plug

Connector: 1 x M12; coding: A; Contacts: 4, gold-plated

