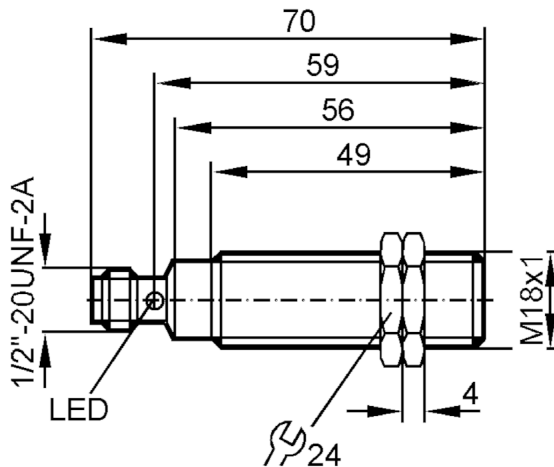


IGC001



Inductive sensor

IGK2008BARKA/M/LS-104AK



Product characteristics	
Output function	normally open
Sensing range [mm]	8
Housing	Threaded type
Dimensions [mm]	M18 x 1 / L = 70
Application	
Special feature	gold-plated contacts; Increased sensing range
Application	Industrial applications; Oils and coolants
Electrical data	
Frequency AC [Hz]	47...63
Operating voltage [V]	20...140 AC/DC
Protection class	II
Reverse polarity protection	yes
Max. power-on delay time [ms]	1000
Outputs	
Output function	normally open
Max. voltage drop switching output DC [V]	5.5
Max. voltage drop switching output AC [V]	5.5
Minimum load current [mA]	5
Max. leakage current [mA]	1
Permanent current rating of switching output AC [mA]	200

IGC001



Inductive sensor

IGK2008BARKA/M/LS-104AK

Permanent current rating of switching output DC	[mA]	200
Short-time current rating of switching output	[mA]	1200; (20 ms / 0,5 Hz)
Switching frequency AC	[Hz]	25
Switching frequency DC	[Hz]	500
Short-circuit protection		yes
Type of short-circuit protection		yes (non-latching)
Overload protection		yes

Monitoring range

Sensing range	[mm]	8
Real sensing range Sr	[mm]	8 ± 10 %
Operating distance	[mm]	0...6.5
Increased sensing range		yes

Accuracy / deviations

Correction factor		steel: 1 / stainless steel: 0.7 / brass: 0.5 / aluminum: 0.4 / copper: 0.3
Hysteresis	[% of Sr]	3...15
Switch-point drift	[% of Sr]	-10...10

Operating conditions

Ambient temperature	[°C]	-25...70
Protection		IP 68; ("Coolant")

Tests / approvals

EMC	EN 61000-4-2 ESD	4 kV CD / 8 kV AD
	EN 61000-4-3 HF radiated	10 V/m
	EN 61000-4-4 Burst	2 kV
	EN 61000-4-6 HF conducted	10 V
	EN 55011	class B
MTTF	[years]	394
UL approval	Ta	0...40 °C
	Enclosure type	Type 1
	File number UL	E174191

Mechanical data

Weight	[g]	61.2
Housing		Threaded type
Mounting		flush mountable
Dimensions	[mm]	M18 x 1 / L = 70
Thread designation		M18 x 1
Material		housing: brass white bronze coated; sensing face: LCP

Displays / operating elements

Display	Switching status	4 x 90° LED, yellow
---------	------------------	---------------------

Accessories

Items supplied		lock nuts: 2
----------------	--	--------------

Remarks

Pack quantity		1 pcs.
---------------	--	--------

IGC001



Inductive sensor

IGK2008BARKA/M/LS-104AK

Electrical connection - plug

Connector: 1 x 1/2"; coding: C; Contacts: 2, gold-plated

