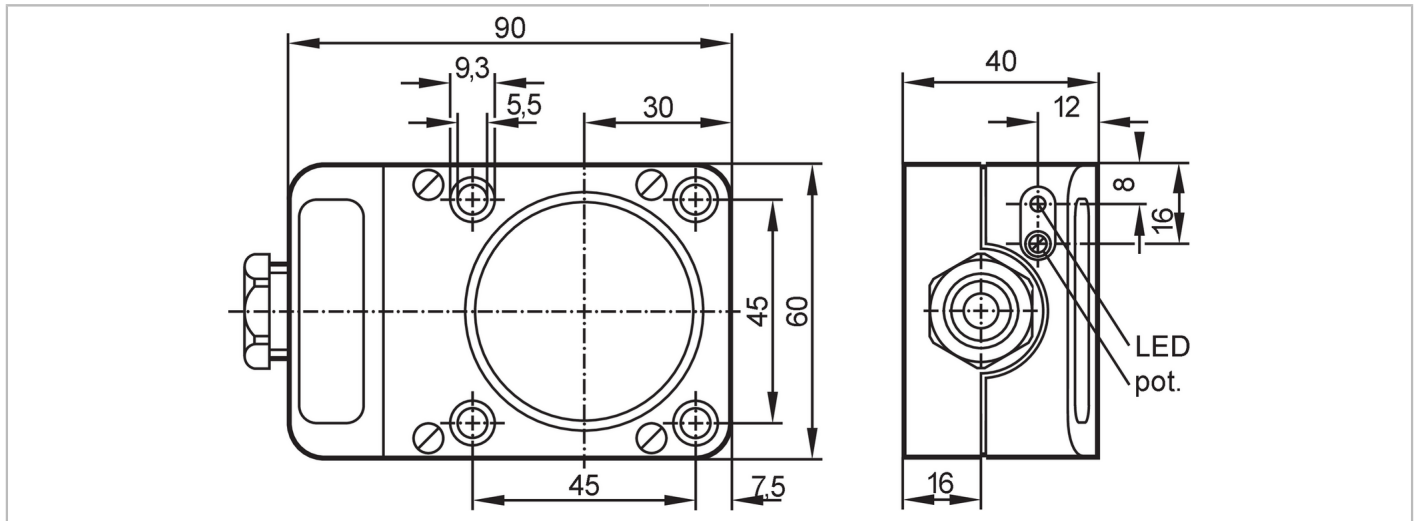


IC5005



Inductive sensor

ICE3040-FPKG



Product characteristics	
Electrical design	PNP
Output function	normally open / closed; (selectable)
Sensing range [mm]	40
Housing	rectangular
Dimensions [mm]	90 x 60 x 40
Application	
Application	Industrial applications
Electrical data	
Operating voltage [V]	10...36 DC
Current consumption [mA]	15; (24 V)
Protection class	II
Reverse polarity protection	yes
Outputs	
Electrical design	PNP
Output function	normally open / closed; (selectable)
Max. voltage drop switching output DC [V]	2.5
Permanent current rating of switching output DC [mA]	250
Switching frequency DC [Hz]	15
Short-circuit protection	yes
Type of short-circuit protection	yes (non-latching)
Overload protection	yes
Monitoring range	
Sensing range [mm]	40
Sensing range adjustable	yes
Factory setting sensing range [mm]	40

IC5005



Inductive sensor

ICE3040-FPKG

Real sensing range Sr	[mm]	40 ± 10 %
Operating distance	[mm]	0...32.4

Accuracy / deviations		
Correction factor		steel: 1 / stainless steel: 0.7 / brass: 0.4 / aluminum: 0.3 / copper: 0.2
Hysteresis	[% of Sr]	1...15
Switch-point drift	[% of Sr]	-10...10

Operating conditions		
Ambient temperature	[°C]	-25...80
Protection		IP 65

Tests / approvals		
EMC		EN 60947-5-2
MTTF	[years]	1261
UL approval	Ta	0...40 °C
	Enclosure type	Type 1
	File number UL	E174191

Mechanical data		
Weight	[g]	268
Housing		rectangular
Mounting		non-flush mountable
Dimensions	[mm]	90 x 60 x 40
Material		PPE

Displays / operating elements		
Display	Switching status	1 x LED, yellow

Accessories		
Items supplied		screwdriver: 1
		spring washers: 4
		cylinder screws: 4 x (M5 x 35 mm)

Remarks		
Pack quantity		1 pcs.

Electrical connection
terminals: ...2.5 mm²; Cable sheath: Ø 7...13 mm; Cable gland: M20 X 1.5

Connection

