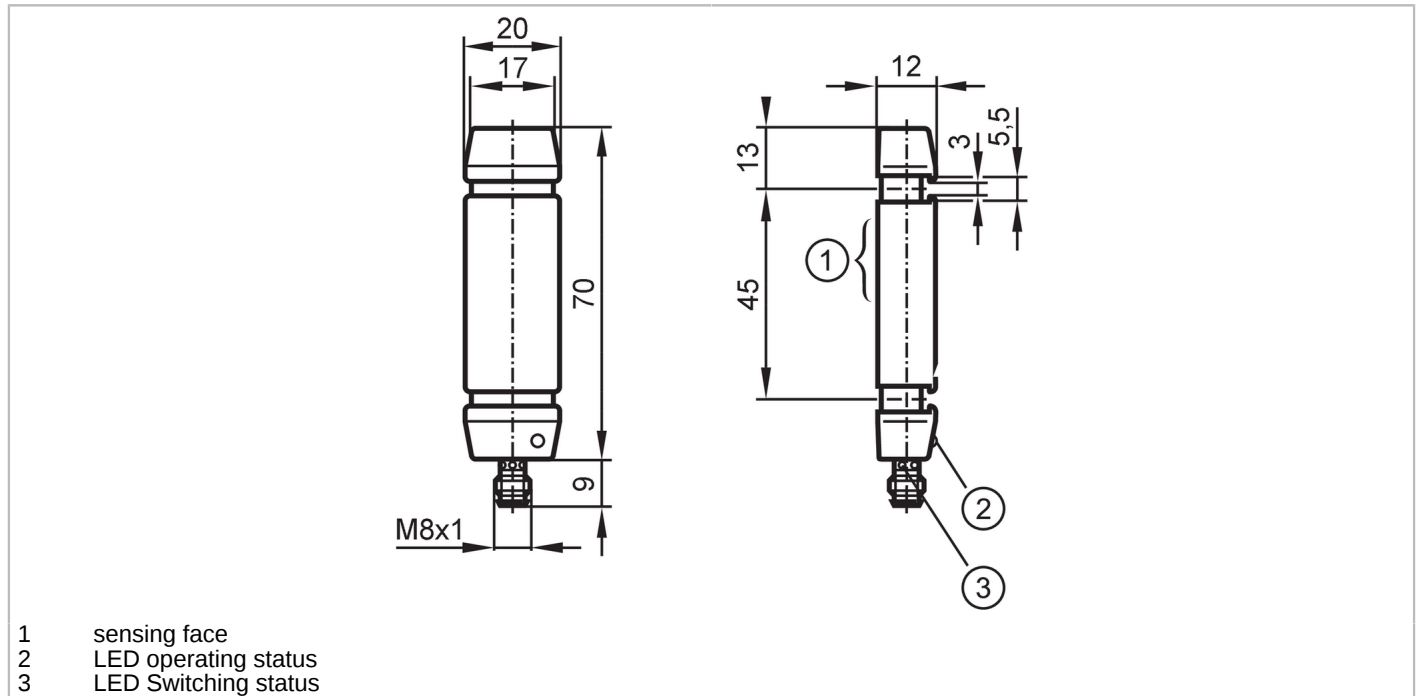


I85001



Inductive tube sensor

I8-3014-ANKG/AS-610-DNS



Product characteristics

Electrical design	NPN
Output function	normally open
Sensing range [mm]	< 14
Housing	rectangular
Dimensions [mm]	70 x 20 x 12

Application

Principle of operation	static
Application	Industrial applications

Electrical data

Operating voltage [V]	10...35 DC
Current consumption [mA]	< 15
Protection class	III
Reverse polarity protection	yes

Outputs

Electrical design	NPN
Output function	normally open
Max. voltage drop switching output DC [V]	2
Permanent current rating of switching output DC [mA]	200
Short-circuit protection	yes
Overload protection	yes

Monitoring range

Sensing range [mm]	< 14
--------------------	------

I85001



Inductive tube sensor

I8-3014-ANKG/AS-610-DNS

Resolution of steel ball (diameter)	[mm]	3
Max. part speed	[m/s]	35

Reaction times

Pulse stretching	[ms]	100
Max. fall time	[ms]	100
Response time	[ms]	< 0.5

Operating conditions

Ambient temperature	[°C]	-25...70
Protection		IP 67

Tests / approvals

MTTF	[years]	1323
UL approval	Ta	-25...70 °C
	Enclosure type	Type 4X (indoor use only) / 12 and 13
	voltage supply	Class 2
	File number UL	E174191

Mechanical data

Weight	[g]	50
Housing		rectangular
Dimensions	[mm]	70 x 20 x 12
Material		housing: PC

Displays / operating elements

Display	Switching status	1 x LED, yellow
	Power	1 x LED, green

Accessories

Items supplied	fixing straps: 2
----------------	------------------

Remarks

Pack quantity	1 pcs.
---------------	--------

Electrical connection - plug

Connector: 1 x M8; coding: A; Contacts: 3



I85001



Inductive tube sensor

I8-3014-ANKG/AS-610-DNS

Connection

