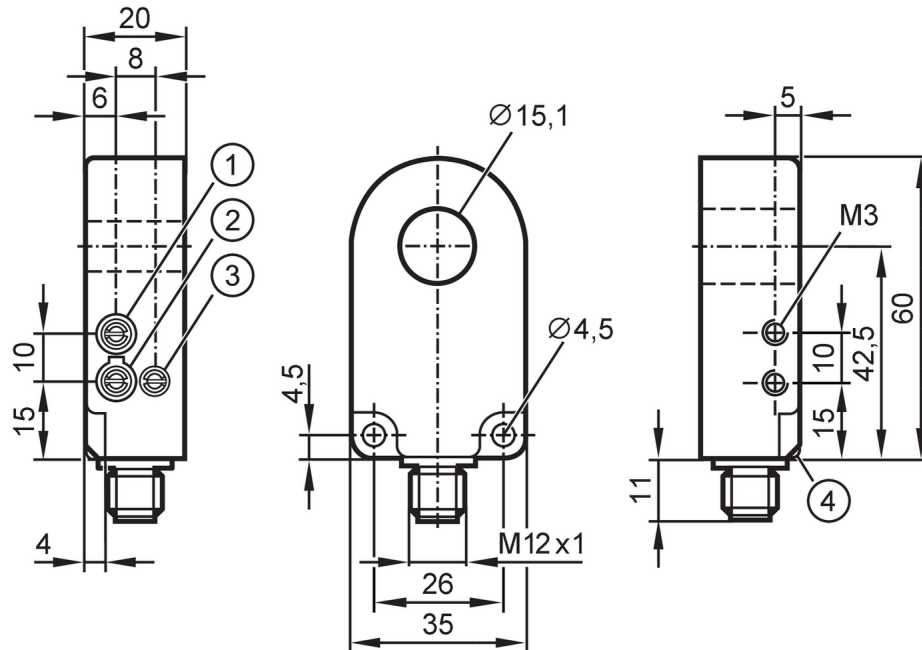


I7R207



Inductive ring sensor

I7R3015-FPKG/DY/US-100-IPF



- 1 Sensitivity
- 2 Output function
- 3 Pulse stretching time



Product characteristics

| | |
|-------------------|--------------------------------------|
| Electrical design | PNP |
| Output function | normally open / closed; (selectable) |
| Housing | circular |
| Dimensions [mm] | 60 x 35 x 20 |

Application

| | |
|------------------------|---------|
| Principle of operation | dynamic |
|------------------------|---------|

Electrical data

| | |
|-----------------------------|------------|
| Operating voltage [V] | 10...35 DC |
| Current consumption [mA] | < 20 |
| Protection class | III |
| Reverse polarity protection | yes |

Outputs

| | |
|--|--------------------------------------|
| Electrical design | PNP |
| Output function | normally open / closed; (selectable) |
| Max. voltage drop switching output DC [V] | 2 |
| Permanent current rating of switching output DC [mA] | 200 |
| Short-circuit protection | yes |
| Overload protection | yes |

Monitoring range

| | |
|--|-----|
| Resolution of steel ball (diameter) [mm] | 0.8 |
|--|-----|

I7R207



Inductive ring sensor

I7R3015-FPKG/DY/US-100-IPF

| | | |
|-----------------|-------|----|
| Max. part speed | [m/s] | 35 |
|-----------------|-------|----|

Reaction times

| | | |
|-----------------------------|------|-----------|
| Pulse stretching | [ms] | 0.1...150 |
| Pulse stretching adjustable | | yes |
| Max. fall time | [ms] | 0.2 |
| Response time | [ms] | < 0.2 |

Operating conditions

| | | |
|---------------------|------|----------|
| Ambient temperature | [°C] | -25...70 |
| Protection | | IP 67 |

Tests / approvals

| | | |
|-------------|----------------|---------------------------------------|
| MTTF | [years] | 556 |
| UL approval | Ta | -25...70 °C |
| | Enclosure type | Type 4X (indoor use only) / 12 and 13 |
| | voltage supply | Class 2 |
| | File number UL | E174191 |

Mechanical data

| | | |
|-----------------|------|------------------------|
| Weight | [g] | 58.7 |
| Housing | | circular |
| Dimensions | [mm] | 60 x 35 x 20 |
| Inside diameter | [mm] | 15.1 |
| Material | | housing: PA; ring: POM |

Displays / operating elements

| | | |
|---------|------------------|-----------------|
| Display | Switching status | 1 x LED, yellow |
|---------|------------------|-----------------|

Remarks

| | |
|---------------|--------|
| Pack quantity | 1 pcs. |
|---------------|--------|

Electrical connection - plug

Connector: 1 x M12; coding: A



Connection

