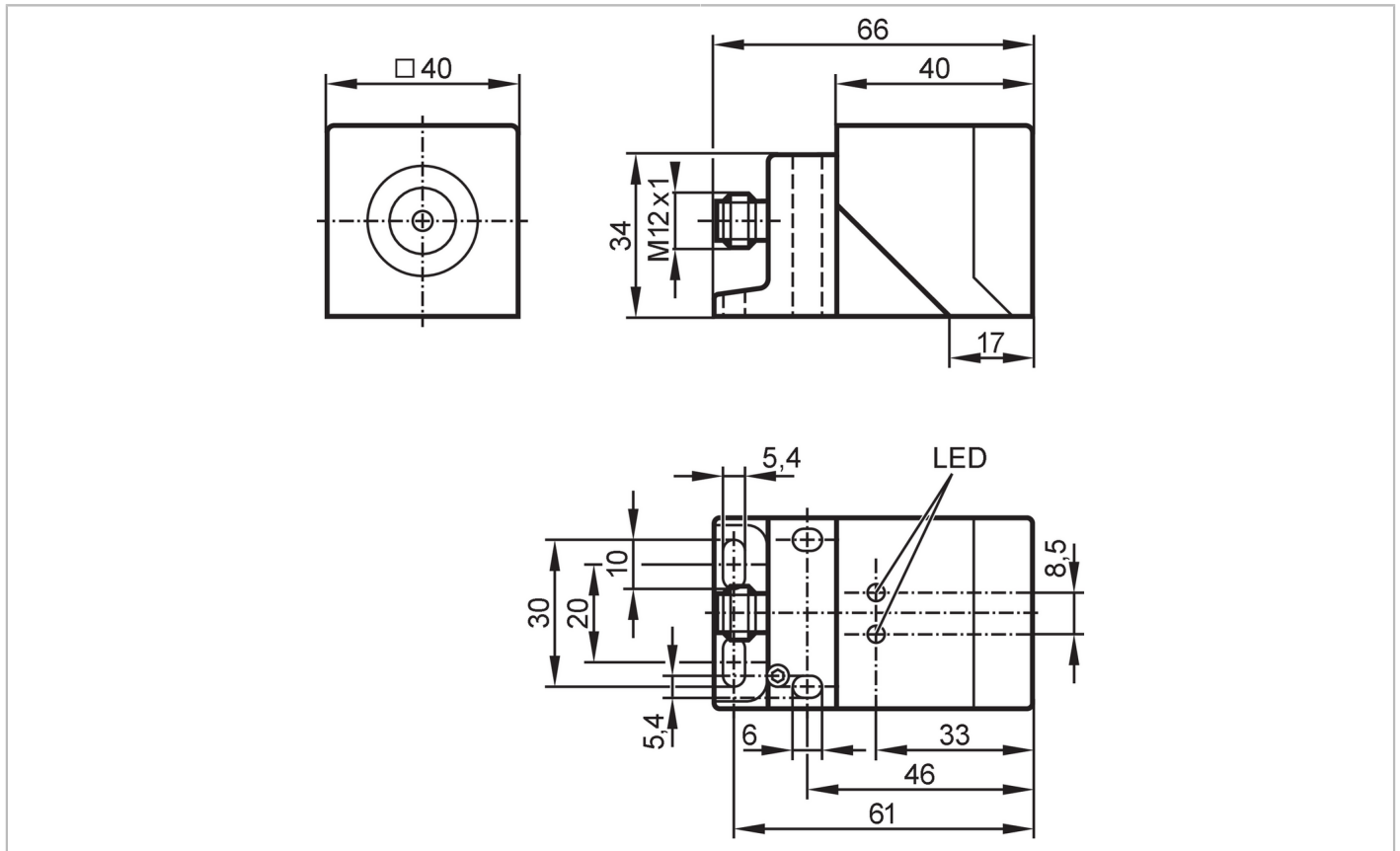


# GM505S



## Fail-safe inductive sensor

GIMC-4035-US



Product characteristics		
Output function		Clock signal
Enable zone	[mm]	10...20
Housing		rectangular
Dimensions	[mm]	40 x 40 x 66
Application		
Special feature		gold-plated contacts
Type of operation		continuous operation (maintenance-free)
Safety-related function		safe state when undamped
Application		Industrial applications
Electrical data		
Operating voltage	[V]	19.2...30 DC
Rated insulation voltage	[V]	30
Current consumption	[mA]	< 15
Protection class		III
Reverse polarity protection		yes
Max. power-on delay time	[ms]	5000
Inputs		
Max. input capacitance	[nF]	2
Ci_max		2

# GM505S



## Fail-safe inductive sensor

GIMC-4035-US

Outputs		
Output function	Clock signal	
Output data	Interface type B	
Short-circuit protection	yes	
Max. capacitive load CL_max [nF]	20	
Monitoring range		
Enable zone [mm]	10...20	
Safe switching-off distance s(ar) [mm]	35	
Reaction times		
Response time to safety request [ms]	20	
Response time when approaching the enable zone [ms]	200; (typical 100)	
Operating conditions		
Applications	Class C to EN 60654-1 weatherproof application	
Ambient temperature [°C]	-25...70	
Note on ambient temperature	operational life ≤ 87600 h	
Ambient temperature [°C]	10...40	
Note on ambient temperature	operational life ≤ 175200 h	
Rate of temperature change [K/min]	0.5	
Max. relative air humidity [%]	briefly: 5...95 %; permanent: 5...70 %	
Air pressure [kPa]	80...106	
Ionizing radiation	not permissible	
Salt spray	no	
Protection	IP 65; IP 67; (to EN 60529)	
Tests / approvals		
EMC	IEC 60947-5-2	
	IEC 60947-5-3	
	EN 61000-4-2 ESD	6 kV CD / 8 kV AD
	EN 61000-4-3 HF radiated	20 V/m
	EN 61000-4-4 Burst	2 kV
	EN 61000-4-6 HF conducted	10 V
	EN 61000-4-8	30 A/m
	EN 55011	class B
Shock resistance	IEC 60947-5-2	
Vibration resistance	IEC 60947-5-2	
Safety classification		
Complies with the requirements	ISO 13849-1: 2015 Category 3, PL e IEC 61508 SIL 3	
Mission time TM [h]	≤ 175200	
Mission time TM (additional indication)	20 years	
PFH [1/h]	1E-08	
Mechanical data		
Weight [g]	358	

# GM505S



## Fail-safe inductive sensor

GIMC-4035-US

Housing	rectangular
Mounting	non-flush mountable
Dimensions [mm]	40 x 40 x 66
Material	PPE; diecast zinc

### Displays / operating elements

Display	Power	1 x LED, green
	signal	1 x LED, yellow

### Remarks

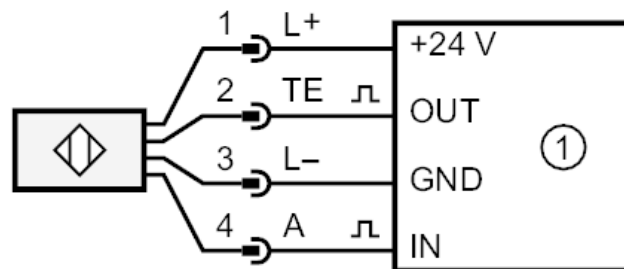
Remarks	Unless stated otherwise, all data refer to the reference target plate to IEC 60947-5-2 over the whole temperature range. (FE360 = ST37K) 60x60x1 mm
Pack quantity	1 pcs.

### Electrical connection - plug

Connector: 1 x M12; coding: A; Contacts: 4, gold-plated



### Connection



1 = Safety-related logic unit