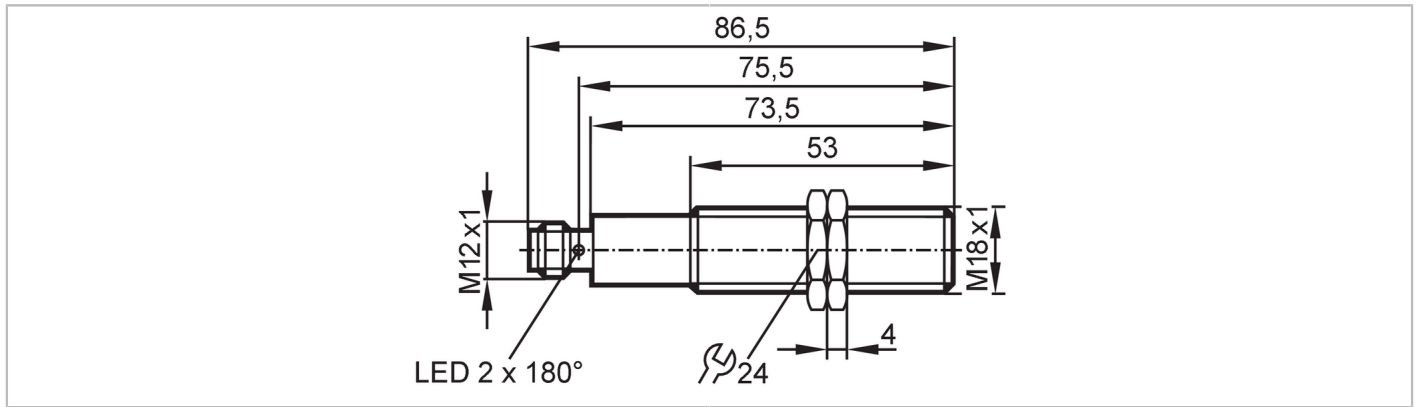


# GG851S



## Fail-safe inductive sensor

GIGA4005B2PO/SIL2/US



Product characteristics		
Electrical design		PNP
Output function		2 x OSSD (A1 and A2)
Enable zone	[mm]	> 10
Housing		Threaded type
Dimensions	[mm]	M18 x 1 / L = 86.5
Application		
Special feature		gold-plated contacts
Type of operation		continuous operation (maintenance-free)
Safety-related function		safe state when damped correctly
Application		Industrial applications
Electrical data		
Operating voltage	[V]	10...30 DC
Rated insulation voltage	[V]	30
Current consumption	[mA]	< 30
Protection class		III
Reverse polarity protection		yes
Max. power-on delay time	[ms]	1000
Outputs		
Electrical design		PNP
Output function		2 x OSSD (A1 and A2)
Max. voltage drop switching output DC	[V]	2.5; (30 mA)
Minimum load current	[mA]	2
Permanent current rating of switching output DC	[mA]	50
Output data		Interface type C class 1
Output voltage at 24 V		compatible with EN 61131-2 inputs type 1, 2
Short-circuit protection		yes
Max. capacitive load CL_max	[nF]	20
Monitoring range		
Enable zone	[mm]	> 10

# GG851S



## Fail-safe inductive sensor

GIGA4005B2PO/SIL2/US

Safe switching-off distance s(ar)	[mm]	< 5
--------------------------------------	------	-----

### Reaction times

Response time to safety request	[ms]	5
Response time when approaching the enable zone	[ms]	5
Risk time (response time for safety-related faults)	[ms]	45

### Operating conditions

Applications		Class C to EN 60654-1 weatherproof application
Ambient temperature	[°C]	-25...70
Note on ambient temperature		operational life ≤ 87600 h
Ambient temperature	[°C]	10...40
Note on ambient temperature		operational life ≤ 175200 h
Rate of temperature change	[K/min]	0.5
Max. relative air humidity	[%]	briefly: 5...95 %; permanent: 5...70 %
Air pressure	[kPa]	80...106
Max. height above sea level	[m]	2000
Ionizing radiation		not permissible
Salt spray		IEC 60068-2-11
Protection		IP 65; IP 67

### Tests / approvals

EMC	IEC 60947-5-2	
	IEC 60947-5-3	
	EN 60947-5-3	
	EN 61000-4-2 ESD	6 kV CD / 8 kV AD
	EN 61000-4-3 HF radiated	20 V/m
	EN 61000-4-4 Burst	2 kV
	EN 61000-4-6 HF conducted	10 V
	EN 61000-4-8	30 A/m
	EN 55011	class B
Shock resistance	IEC 60947-5-2	
Vibration resistance	IEC 60947-5-2	

### Safety classification

Complies with the requirements		ISO 13849-1: 2015 Category 2, PL d
		IEC 61508 SIL 2
		IEC 62061 SIL 2
Mission time TM	[h]	≤ 175200
Mission time TM (additional indication)		20 years
PFH	[1/h]	< 1,0E-07

### Mechanical data

Weight	[g]	163.5
Housing		Threaded type
Mounting		flush mountable
Dimensions	[mm]	M18 x 1 / L = 86.5

# GG851S



## Fail-safe inductive sensor

GIGA4005B2PO/SIL2/US

Thread designation	M18 x 1
Material	housing: brass white bronze coated; sensing face: PBT

### Displays / operating elements

Display	Power	1 x LED, green
	signal	1 x LED, yellow

### Accessories

Items supplied	lock nuts: 2
----------------	--------------

### Remarks

Remarks	Unless stated otherwise, all data refer to the reference target plate to IEC 60947-5-2 over the whole temperature range.
---------	--

(FE360 = ST37K) 24x24x1 mm

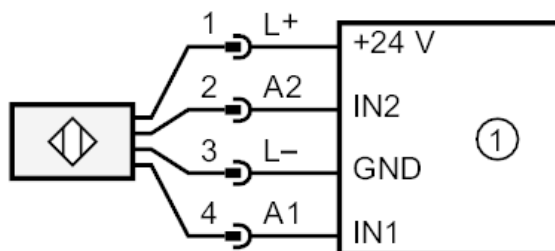
Pack quantity	1 pcs.
---------------	--------

### Electrical connection - plug

Connector: 1 x M12; coding: A; Contacts: gold-plated



### Connection



1: Safety-related logic unit