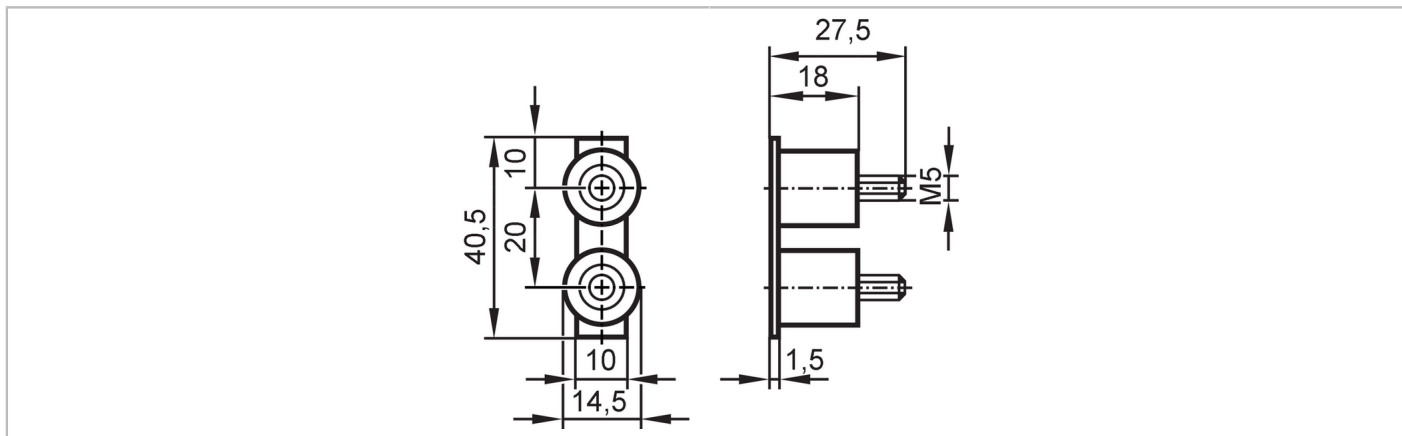


# EY3002



## Vibration damper for safety light grids

ANTIVIBRAT.MOUNT.CLAMP SET6



### Mechanical data

Weight	[g]	142.3
Dimensions	[mm]	40 x 27.5 x 10
Material		rubber; metal galvanized

### Remarks

Pack quantity		6 pcs.
---------------	--	--------